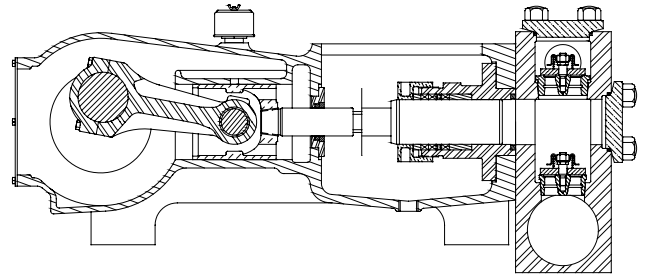


MYERS® APLEX SERIES

MA-155L-HD

TRIPLEX PLUNGER PUMP



No. of plungers.....	3
Maximum rated speed.....	450 rpm
Stroke length.....	4.50 in. 29.9 mm
Maximum rated power.....	175.0 HP 130.4 KW
Maximum rod load	10259 lb. 45.5 kN
Weight.....	2680 lbs.

ENGLISH UNITS

MA-155L-HD

PLUNGER SIZE IN.	STUFFING BOX BORE IN.	MAX PSI.	*GALLON PER/REV.	250 RPM US GPM	300 RPM US GPM	350 RPM US GPM	400 RPM US GPM	450 RPM US GPM
4.000	5.000	817	0.734	183.6	220.3	257.0	293.8	330.5
3.875	5.000	870	0.689	172.3	206.8	241.2	275.7	310.1
3.750	5.000	929	0.645	161.4	193.6	225.9	258.2	290.5
3.625	5.000	995	0.603	150.8	180.9	211.1	241.3	271.4
3.500	4.500	1067	0.562	140.6	168.7	196.8	224.9	253.0
3.375	4.500	1147	0.523	130.7	156.8	183.0	209.1	235.3
3.250	4.500	1237	0.485	121.2	145.4	169.7	193.9	218.2
3.125	4.000	1338	0.448	112.1	134.5	156.9	179.3	201.7
3.000	4.000	1451	0.413	103.3	123.9	144.6	165.2	185.9
2.875	4.000	1580	0.379	94.8	113.8	132.8	151.8	170.7

HP REQUIRED @ RPM** 97.3 116.8 136.2 155.7 175.2

METRIC UNITS

MA-155L-HD

PLUNGER SIZE MM.	STUFFING BOX BORE MM.	MAX PRESS. BAR	* LITER PER/REV.	250 RPM LPM	300 RPM LPM	350 RPM LPM	400 RPM LPM	450 RPM LPM
101.6	127.0	56	2.780	695.0	834.0	973.0	1112.0	1251.0
98.4	127.0	60	2.610	652.5	783.0	913.5	1044.0	1174.5
95.3	127.0	64	2.444	610.9	733.0	855.2	977.4	1099.6
92.1	127.0	69	2.283	570.9	685.0	799.2	913.4	1027.5
88.9	114.3	74	2.129	532.1	638.5	745.0	851.4	957.8
85.7	114.3	79	1.979	494.8	593.7	692.6	791.6	890.6
82.6	114.3	85	1.835	458.8	550.6	642.3	734.1	825.8
79.4	101.6	92	1.697	424.2	509.0	593.8	678.6	763.5
76.2	101.6	100	1.564	391.0	469.1	547.3	625.5	703.7
73.0	101.6	109	1.436	359.0	430.9	502.7	574.5	646.3

KW REQUIRED @ RPM** 73.0 87.6 102.2 116.8 131.3

*Displacement based on 100% Volumetric Efficiency

**Power based on 90% Mechanical Efficiency

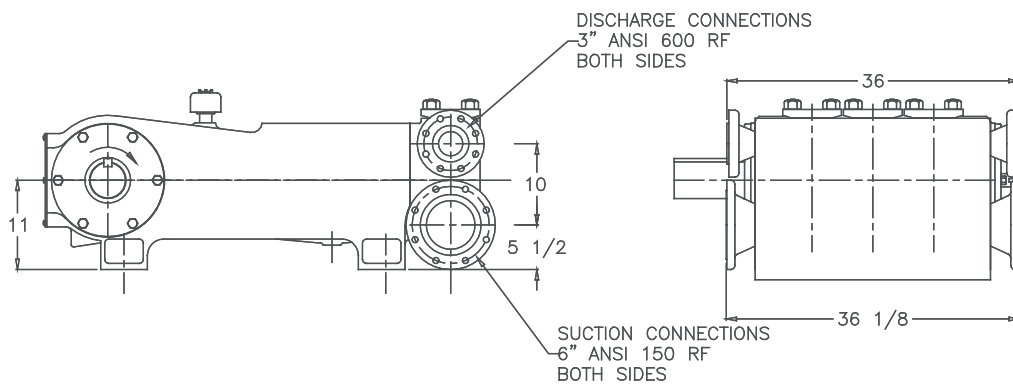
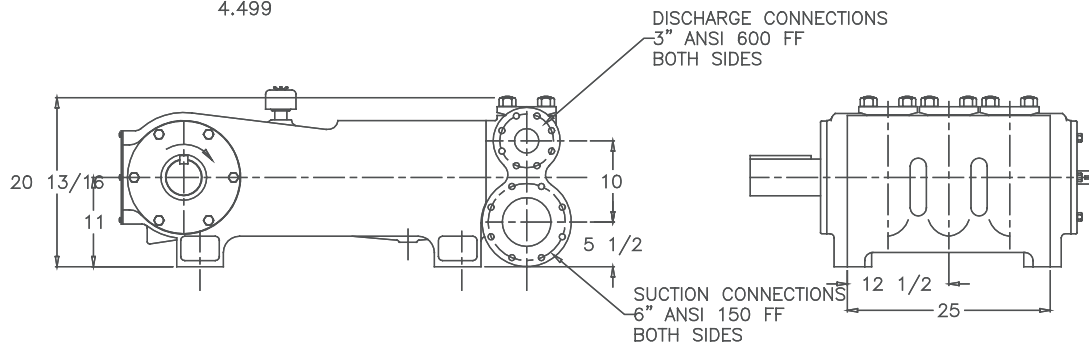
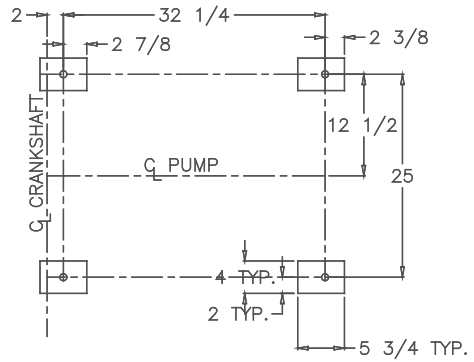
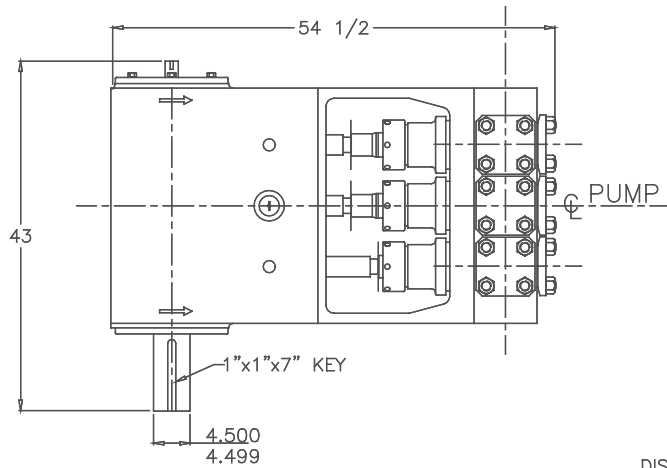
$$IHP = \frac{USGPM \times (\text{Discharge psig} - 1/2 \text{ Suction psig})}{1542}$$

$$IKW = \frac{M^3/HR \times (\text{Discharge Bar} - 1/2 \text{ Suction Bar})}{17.99}$$

$$PUMP \text{ RPM} = \frac{USGPM \text{ Desired}}{USGPM \text{ per Revolution of Selected Plunger}}$$

$$PUMP \text{ RPM} = \frac{M^3/HR \text{ Desired}}{M^3 \text{ per Revolution of Selected Plunger}}$$

MA-155L-HD Triplex Pump



ENGINEERING DATA

MA-155L-HD Triplex Pump

POWER END ENGINEERING DATA

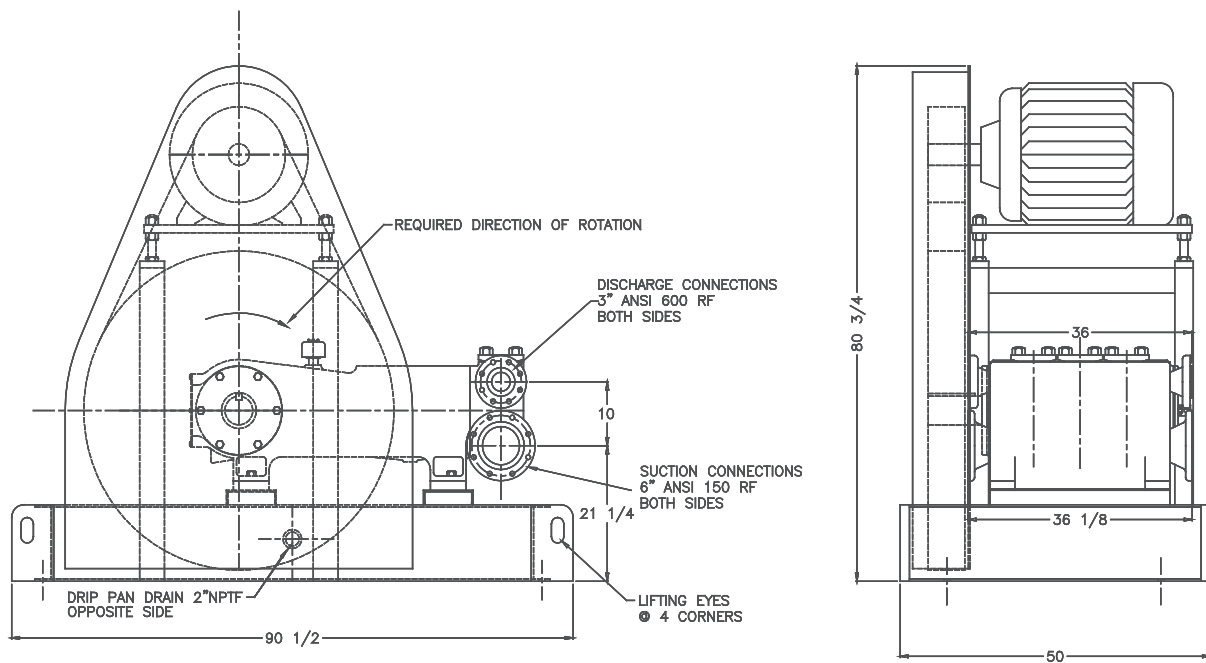
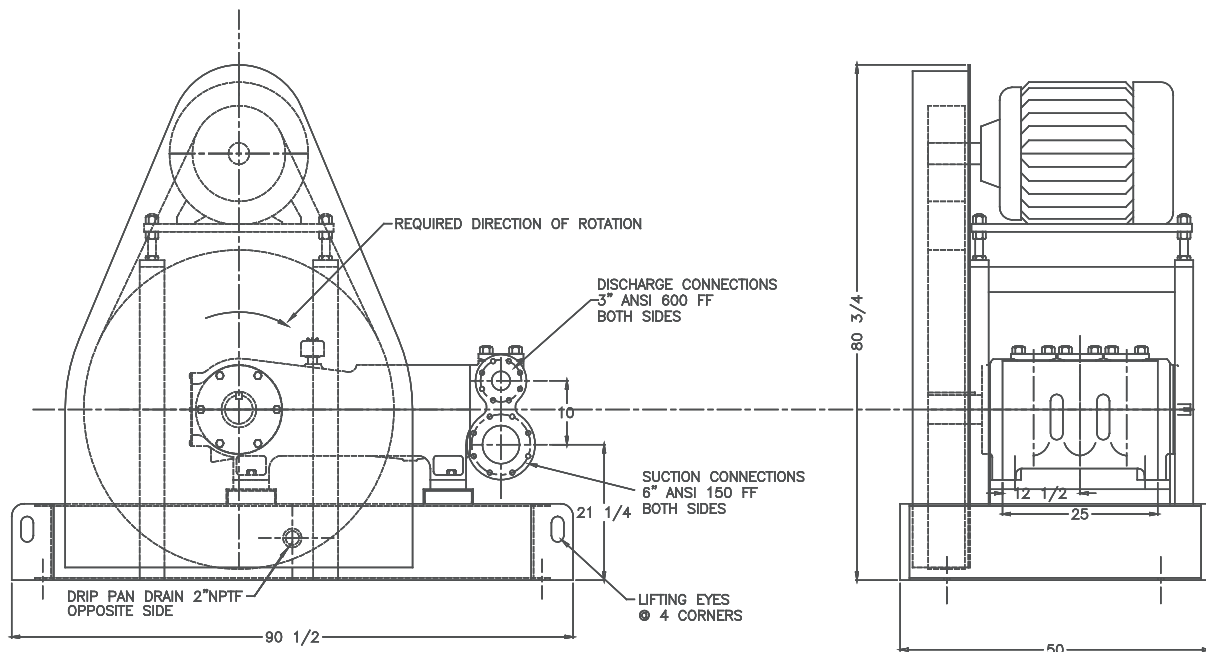
Max. Input HP @ Speed	175 @ 450 RPM
Rated Continuous Plunger Load	10259 lb.
Max. Rated Continuous Speed	450 RPM
Normal Continuous Speed Range	150 to 420 RPM
Minimum Speed	100 RPM
Oil Capacity	22 U.S. Qrts
Power End Oiling System	Splash
Power Frame, One-Piece	Cast Iron
Crosshead, Full Cylindrical	Cast Iron
Crosshead, Dia. x Length	5 3/4 x 6 3/16 inches
Crankshaft	Forged and Nitrided Alloy Steel
Crankshaft Diameters:	
At Tapered Roller Bearings	4 3/4 in.
At Crankpin Bearings, Dia. x Length	4 1/2 x 3 3/4 inches
Crosshead (Wrist) Pin, Case-Hardened and Ground	AISI 8620
Main Bearings, Tapered Roller	Timken®
Crankpin Bearings, Precision Automotive	Steel Backed, Babbitt-Lined
Extension (Pony) Rod, Integral w/ Plungers	316 S.S.
Connecting Rod, Automotive Type	Ductile Iron
Average Crosshead Speed @ 450 rpm	338 fpm
Minimum Life Expectancy, Main Bearings, L ₁₀	50,000+ hr.

LIQUID END ENGINEERING DATA

Max. Continuous Working Pressure	1,400 psi
Hydrostatic Test	2,100 psi
Available Liquid End Materials, A.S.T.M.	
Nickel Aluminum Bronze Casting	B148-C955
Carbon Steel Block	A105
Stainless Steel Block	Various Grades
Ductile Iron Casting	A536 80-55-06
Plunger Type "Rokide" (Chromium Oxide-Coated)	316 S.S.
Stuffing Boxes, Field-Removable and Replaceable:	
Nickel Aluminum Bronze	B148-C955
Ductile Iron	80-55-06
Steel	1040
Various Packing Types Available	
Valve Cover and Cyl. Head Plugs	316 S.S.
Retainer Plates, Ductile Iron, A.S.T.M.	A536 80-55-06
Seals, Stuffing Boxes, Valve Covers, Cyl. Heads	Buna-N
Disc Valve Types:	
Regularly furnished, acetal resin	Delrin®
Optional, Hardened and Lapped,	17-4 PH S.S.
Valve Spring material	Inconel®
Valve Seat, Liquid Passage Areas	6.54 sq.in.
Avg. Liquid Velocity with 4" plungers @ 450 rpm	
thru Valves	10.8 fps
thru Suction Manifold	3.7 fps
thru Discharge Manifold	16.1 fps

All drawings and specifications subject to change without notice.

MA-155L-HD Triplex Pump



740 EAST 9TH STREET,
ASHLAND, OHIO 44805
WWW.FEMYERS.COM

269 TRILLIUM DRIVE, KITCHENER,
ONTARIO, CANADA N2G 4W5
WWW.FEMYERS.COM

Delrin® is a registered trademark of E.L. duPont
Inconel® is a registered trademark of the Special Metals family of companies
Timken® is a registered trademark of The Timken Company
Myers® is a registered trademark of Pentair Ltd.

Because we are continuously improving our products and services, Pentair reserves the right to change specifications without prior notice.
MA1025-HD 05/07/13 © 2013 Pentair Ltd. All Rights Reserved.

www.powerzone.com