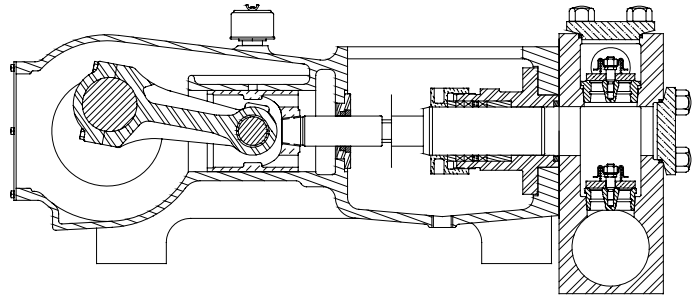


MYERS® APLEX SERIES

MA-155M-HD

TRIPLEX PLUNGER PUMP



No. of plungers	3
Maximum rated speed	450 rpm
Stroke length.....	4.50 in. 29.9 mm
Maximum rated power.....	175.0 HP 130.4 KW
Maximum rod load	10259 lb. 45.6 kN
Weight	2500 lbs.

ENGLISH UNITS

MA-155M-HD

PLUNGER SIZE IN.	STUFFING BOX BORE IN.	MAX PSI.	*GALLON PER/REV.	250 RPM US GPM	300 RPM US GPM	350 RPM US GPM	400 RPM US GPM	450 RPM US GPM
2.750	3.500	1728	0.347	86.8	104.1	121.5	138.8	156.2
2.625	3.500	1900	0.316	79.1	94.9	110.7	126.5	142.3
2.500	3.500	2100	0.287	71.7	86.1	100.4	114.8	129.1
2.375	3.500	2316	0.259	64.7	77.7	90.6	103.6	116.5
2.250	3.000	2581	0.232	58.1	69.7	81.3	92.9	104.6
2.125	3.000	2900	0.207	51.8	62.2	72.5	82.9	93.3
2.000	3.000	3265	0.184	45.9	55.1	64.3	73.4	82.6
1.875	3.000	3600	0.161	40.3	48.4	56.5	64.5	72.6
1.750	3.000	3600	0.141	35.1	42.2	49.2	56.2	63.3

HP REQUIRED @ RPM**	97.2	116.7	136.1	155.6	175.0
---------------------	------	-------	-------	-------	-------

METRIC UNITS

MA-155M-HD

PLUNGER SIZE MM.	STUFFING BOX BORE MM.	MAX PRESS. BAR	* LITER PER/REV.	250 RPM LPM	300 RPM LPM	350 RPM LPM	400 RPM LPM	450 RPM LPM
69.9	88.9	134.4	1.314	328.5	394.2	459.9	525.6	591.3
66.7	88.9	130.6	1.197	299.3	359.2	419.1	478.9	538.8
63.5	88.9	144.1	1.086	271.5	325.8	380.1	434.4	488.7
60.3	88.9	159.6	0.980	245.0	294.0	343.0	392.0	441.0
57.2	76.2	177.9	0.880	219.9	263.9	307.9	351.9	395.9
54.0	76.2	200.0	0.785	196.2	235.4	274.6	313.9	353.1
50.8	76.2	225.1	0.695	173.8	208.5	243.2	278.0	312.8
47.6	76.2	256.1	0.611	152.8	183.3	213.8	244.4	274.9
44.5	76.2	280.2	0.532	133.1	159.7	186.3	212.9	239.5

KW REQUIRED @ RPM**	64.2	77.0	89.9	102.8	115.6
---------------------	------	------	------	-------	-------

*Displacement based on 100% Volumetric Efficiency

**Power based on 90% Mechanical Efficiency

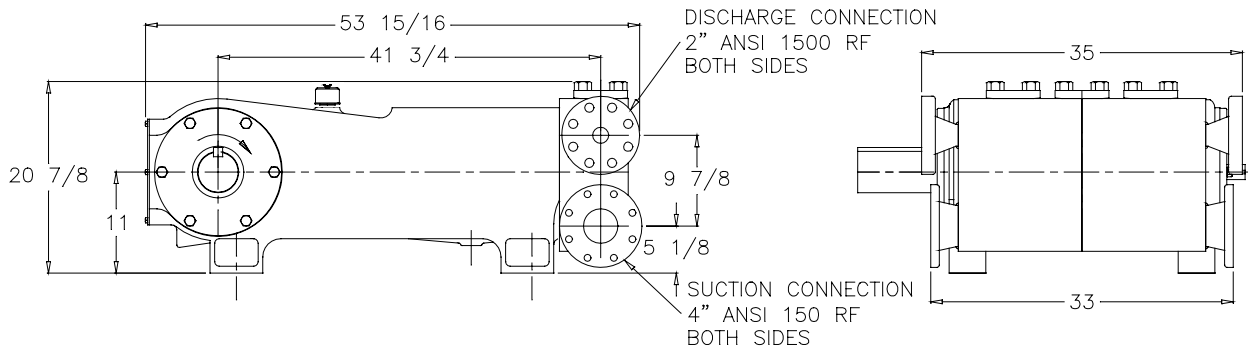
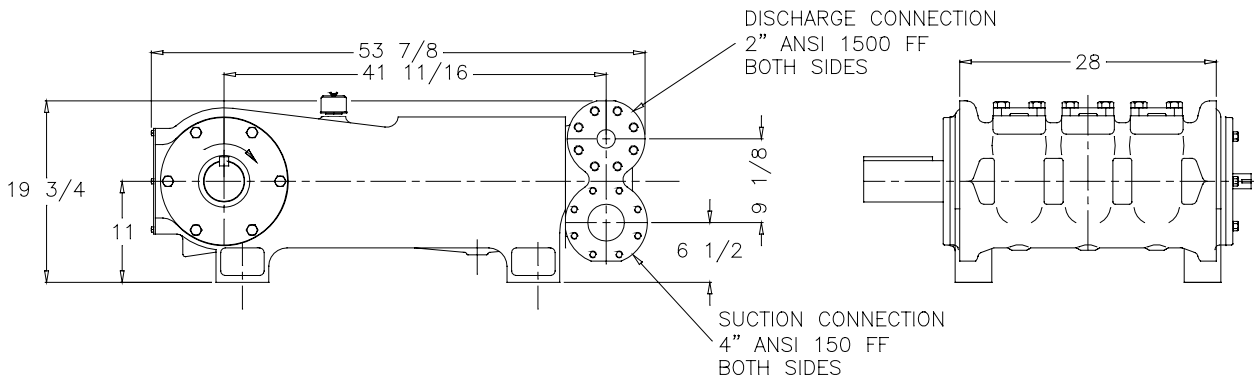
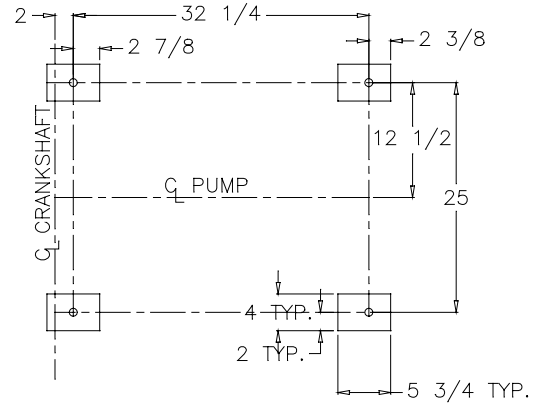
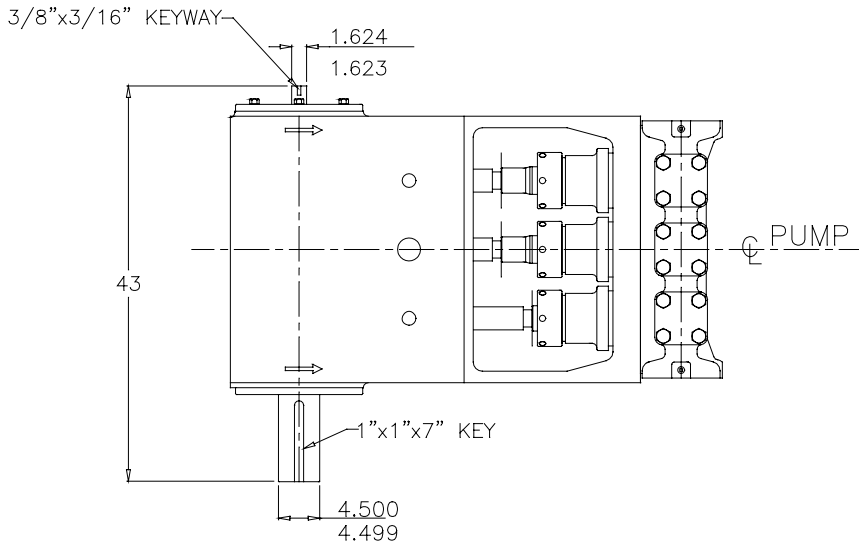
$$IHP = \frac{USGPM \times (Discharge \text{ psig} - 1/2 \text{ Suction psig})}{1542}$$

$$IKW = \frac{M^3/HR \times (Discharge \text{ Bar} - 1/2 \text{ Suction Bar})}{17.99}$$

$$PUMP \text{ RPM} = \frac{USGPM \text{ Desired}}{USGPM \text{ per Revolution of Selected Plunger}}$$

$$PUMP \text{ RPM} = \frac{M^3/HR \text{ Desired}}{M^3 \text{ per Revolution of Selected Plunger}}$$

MA-155M-HD Triplex Pump



ENGINEERING DATA

MA-155M-HD Triplex Pump

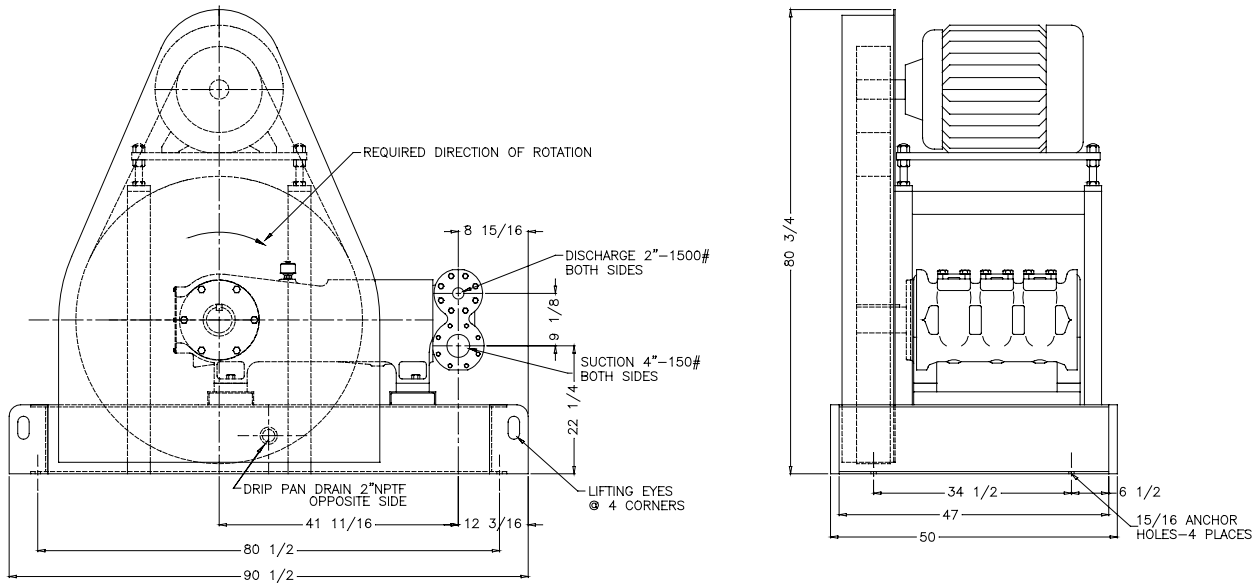
POWER END ENGINEERING DATA

Max. Input HP @ Speed	175 @ 450 RPM
Rated Continuous Plunger Load	10,259 lb.
Max. Rated Continuous Speed	450 RPM
Normal Continuous Speed Range	150 to 420 RPM
Minimum Speed	100 RPM
Oil Capacity	22 U.S. Qrts
Power End Oiling System	Splash
Power Frame, One-Piece	Cast Iron
Crosshead, Full Cylindrical	Cast Iron
Crosshead, Dia. x Length	5 3/4 x 6 3/16 inches
Crankshaft	Forged and Nitrided Alloy Steel
Crankshaft Diameters:	
At Tapered Roller Bearings	4 3/4 in.
At Crankpin Bearings, Dia. x Length	4 1/2 x 3 3/4 inches
Crosshead (Wrist) Pin, Case-Hardened and Ground	AISI 8620
Main Bearings, Tapered Roller	Timken®
Crankpin Bearings, Precision Automotive	Steel Backed, Babbitt-Lined
Extension (Pony) Rod, Integral w/ Plungers	316 S.S.
Connecting Rod, Automotive Type	Ductile Iron
Average Crosshead Speed @ 450 rpm	338 fpm
Minimum Life Expectancy, Main Bearings, L ₁₀	50,000+ hr.

LIQUID END ENGINEERING DATA

Max. Continuous Working Pressure	3600 psi	
Hydrostatic Test	5400 psi	
Available Liquid End Materials, A.S.T.M.		
Stainless Steel Block	Various Grades	
Nickel Aluminum Bronze Casting	B148-C955	
Forged Steel Block	A105.	
Plunger Type Rokide® (Chromium Oxide-Coated)	316 S.S.	
Stuffing Boxes, Field-Removable and Replaceable		
Nickel Aluminum Bronze	B148-C955	
Carbon Steel	1020	
Packing Types Available		
Gland-loaded, Non-Adjustable	Style 838	
Spring-loaded, Braided Teflon® & Kevlar®	Style 140	
Spring-loaded, cup-type	Style 120X	
Seals, Stuffing Boxes, Valve Covers, Cyl. Heads		Buna-N
Disc Valve Types:		
Regularly furnished, acetal resin	Delrin®	
Optional, Hardened and Lapped,	17-4 PH S.S.	
Valve Spring material	Inconel®	
Valve Seat, Liquid Passage Areas		
Plate (disc) Valves, (Delrin or S.S.)	3.9 sq.in.	
Avg. Liquid Velocity with 2 3/4" plunger @ 450 rpm		
thru Valves	8.5fps	
thru Suction Manifold	3.9 fps	
thru Discharge Manifold	16.9 fps	

MA-155M-HD Triplex Pump



740 EAST 9TH STREET,
ASHLAND, OHIO 44805
WWW.FEMYERS.COM

490 PINEBUSH ROAD, UNIT 4,
CAMBRIDGE, ONTARIO N1T 0A5
WWW.FEMYERS.COM

Delrin®, Teflon® and Kevlar® are registered trademarks of E. I. du Pont de Nemours and Company.

Inconel® is a registered trademark of the Special Metals family of companies.

Timken® is a registered trademark of The Timken Company. Rokide® is a registered trademark of Saint-Gobain Abrasives, Inc.

Myers® is a registered trademark of Pentair.

Because we are continuously improving our products and services, Pentair reserves the right to change specifications without prior notice.

MA1026-HD 01/15/14 © 2014 Pentair Ltd. All Rights Reserved.

www.powerzone.com