

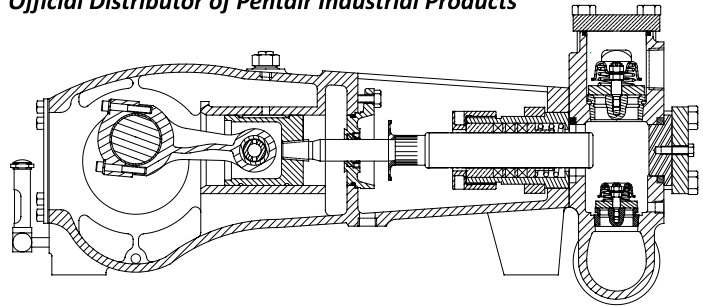


Official Distributor of Pentair Industrial Products

MYERS® APLEX SERIES

MA-25L

TRIPLEX PLUNGER PUMP



No. of plungers.....	3
Maximum rated speed.....	600 rpm
Stroke length.....	2.00 in. 50.8 mm
Maximum rated power.....	25.0 HP 18.6 KW
Maximum rod load	2475 lb. 11.0 kN
Weight.....	455 lbs.

ENGLISH UNITS								
PLUNGER SIZE IN.	STUFFING BOX BORE IN.	MAX PSI.	*GALLON PER./REV.	200 RPM USGPM	300 RPM USGPM	400 RPM USGPM	500 RPM USGPM	600 RPM USGPM
2.250	2.875	625	.1033	20.7	31.0	41.3	51.7	62.0
2.125	2.875	700	.0921	18.4	27.6	36.8	46.1	55.3
2.000	2.875	789	.0816	16.3	24.5	32.6	40.8	49.0
<i>HP REQUIRED @ RPM**</i>				8.3	12.5	16.6	21.2	25.0

METRIC UNITS								
PLUNGER SIZE M.M	STUFFING BOX BORE MM.	MAX PRESS. BAR	*LITER PER./REV	200 RPM LPM	300 RPM LPM	400 RPM LPM	500 RPM LPM	600 RPM LPM
57.2	73.0	34.5	0.3911	78.2	117.3	156.4	196.0	235.0
54.0	73.0	38.6	0.3487	69.7	104.6	139.5	174.4	209.2
50.8	73.0	43.5	0.3089	62.0	93.0	124.0	154.5	185.3
<i>KW REQUIRED @ RPM**</i>				6.2	9.4	12.5	16.3	18.6

*Displacement based on 100% Volumetric Efficiency

**Power based on 90% Mechanical Efficiency

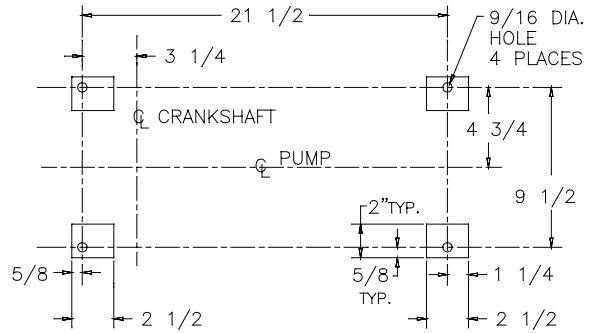
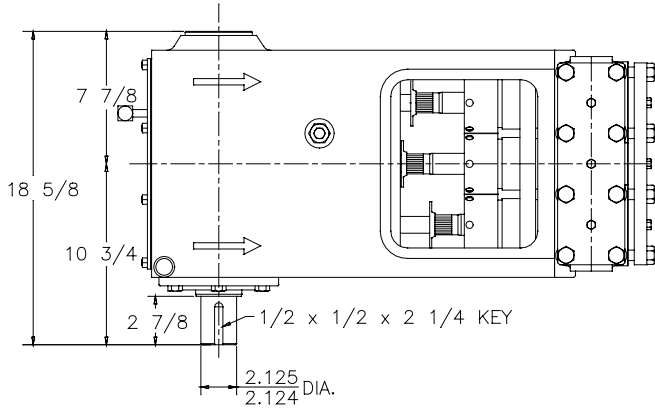
$$IHP = \frac{USGPM \times (\text{Discharge psig} - 1/2 \text{ Suction psig})}{1542}$$

$$IKW = \frac{M^3/HR \times (\text{Discharge Bar} - 1/2 \text{ Suction Bar})}{17.99}$$

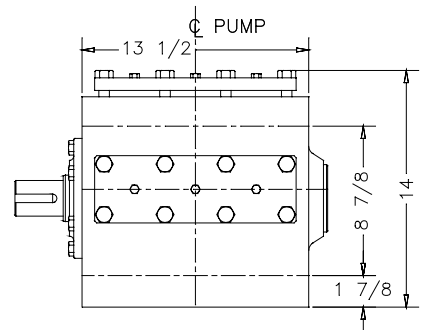
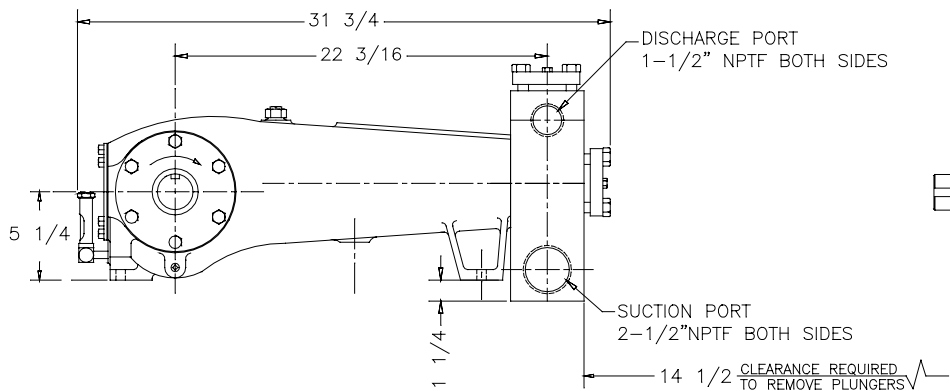
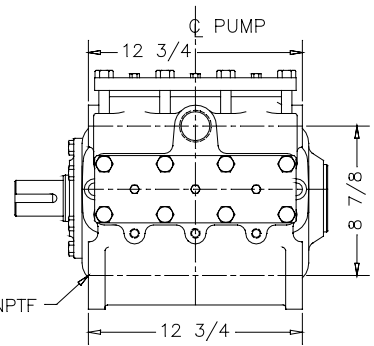
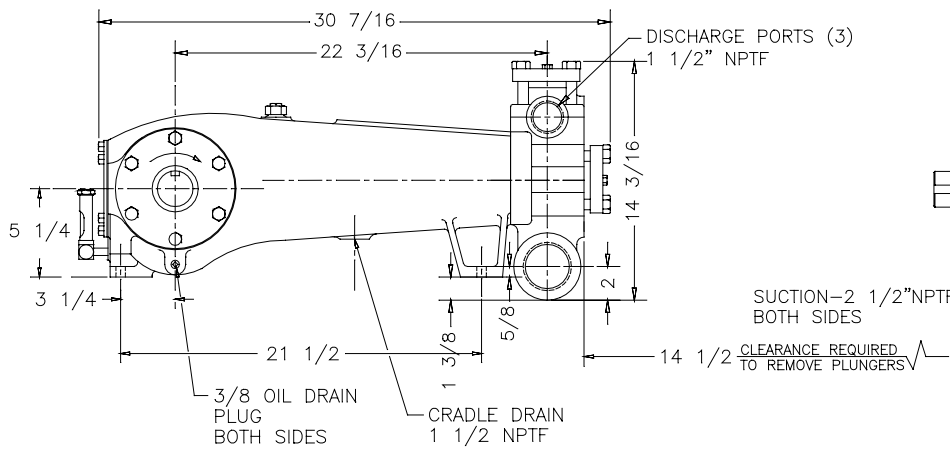
$$PUMP \text{ RPM} = \frac{USGPM \text{ Desired}}{USGPM \text{ per Revolution of Selected Plunger}}$$

$$PUMP \text{ RPM} = \frac{M^3/HR \text{ Desired}}{M^3 \text{ per Revolution of Selected Plunger}}$$

MA-25L Triplex Pump



FOUNDATION PLAN



ENGINEERING DATA

MA-25L Triplex Pump

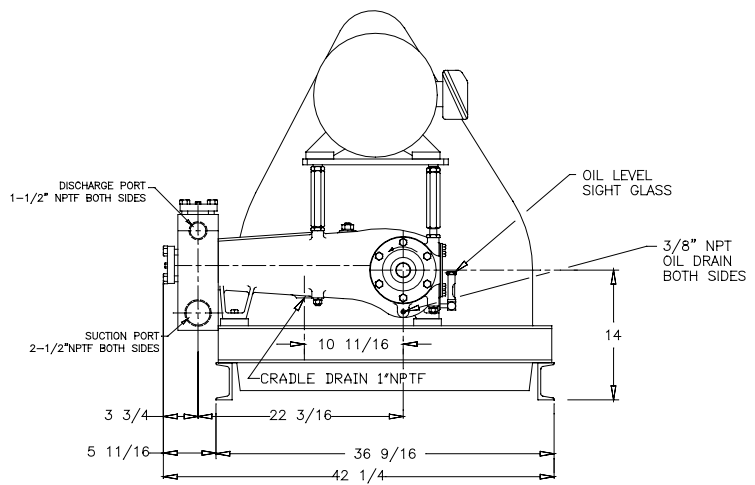
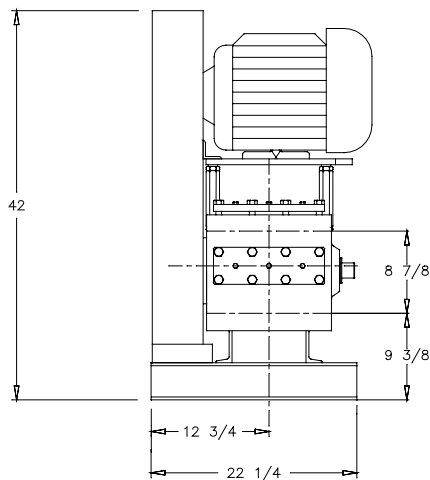
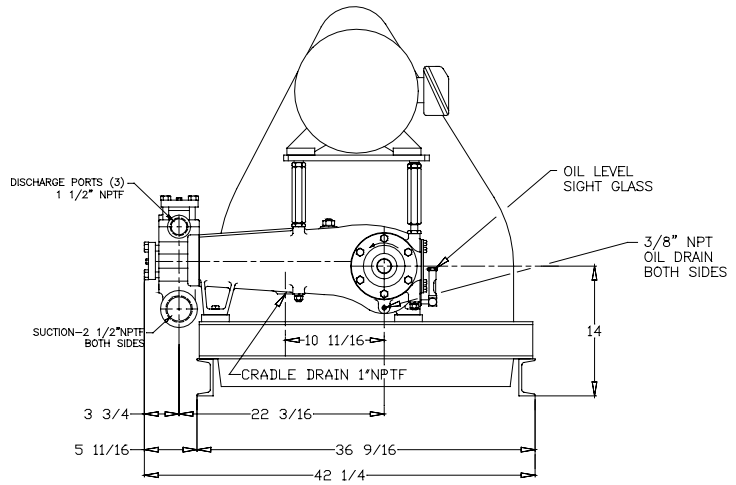
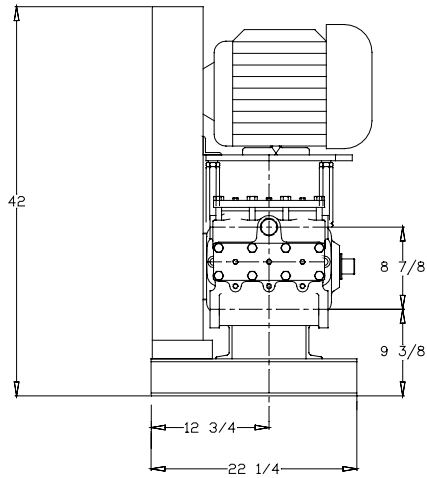
POWER END ENGINEERING DATA

Max. Input HP @ Speed	25 HP @ 600 rpm
Rated Continuous Plunger Load	2,475 lb.
Normal Continuous Speed Range	150 to 500 rpm
Minimum Speed.....	100 rpm
Oil Capacity	5 U.S. Qrts
Power End Oiling System	Splash & Scoop
Power Frame, One-Piece	Cast Iron
Crosshead, Full Cylindrical	Cast Iron
Crosshead, Dia. x Length	3 1/4 x 3 5/8 in.
Crankshaft	Ductile Iron
Crankshaft Diameters:	
At Tapered Roller Bearings	3.15 in.
At Crankpin Bearings	2.25 in.
Crosshead (Wrist) Pin, Case-Hardened and Ground	AISI 8620
Main Bearings, Tapered Roller	Timken®
Crankpin Bearings, Precision Automotive	Babbitt-Lined
Extension (Pony) Rod, Integral w/ Plungers	316 S.S.
Connecting Rod, Automotive Type	Ductile Iron
Average Crosshead Speed @ 600 rpm.....	150 fpm
Minimum Life Expectancy, Main Bearings, L ₁₀	50,000+ hr.

LIQUID END ENGINEERING DATA

Max. Continuous Working Pressure	789 psi
Hydrostatic Test	1,184 psi
Liquid End Materials, A.S.T.M.	
Carbon Steel Block	A516 Gr. 70 or A105
Ductile Iron Casting	A536 80-55-06
Stainless Steel Block	Various Grades
Plunger Type "Rokide" (Chromium Oxide-Coated)	316 S.S.
Stuffing Boxes, Field-Removable and Replaceable	
Stainless Steel, Hardened	17-4PH
Carbon Steel.....	1020
Packing Types Available	
Gland-loaded, Non-Adjustable	Style 838
Spring-loaded, Braided Teflon & Kevlar	Style 140
Spring-loaded, Cup-type	Style 120X
Spring-loaded, Garlock	Style 892IK
Retainer Plates, Steel, A.S.T.M.	A36
Seals, Stuffing Boxes, Valve Covers	Buna-N
Bolting, High Strength, Heat Treated	Alloy Steel
Valve Types Available	
Standard, Acetal Resin	Delrin®
Optional, Hardened and Lapped	17-4PH S.S.
Optional, Dual Stem Guided.....	17-4PH S.S.
Valve Spring Material	Inconel®
Valve Seat, Liquid Passage Area	
Plate (disc) Valves, (Delrin or S.S.)	2.3 sq.in.
Dual Stem Guided Valve.....	1.5 sq.in.
Avg. Liquid Velocity with 2 1/4" plunger @ 600 rpm	
thru Disc Valves	5.7 fps
thru Dual Stem Guided Valves.....	8.8 fps
thru Suction Manifold	4.0 fps
thru Discharge Manifold.....	8.6 fps

MA-25L Triplex Pump



740 EAST 9TH STREET,
ASHLAND, OHIO 44805
WWW.MYERSAPLEX.COM

269 TRILLIUM DRIVE, KITCHENER,
ONTARIO, CANADA N2G 4W5
WWW.MYERSAPLEX.COM

Delrin® is a registered trademark of E.L. duPont
Inconel® is a registered trademark of the Special Metals family of companies
Timken® is a registered trademark of The Timken Company
Myers® is a registered trademark of Pentair Ltd.

Because we are continuously improving our products and services, Pentair reserves the right to change specifications without prior notice.
MA1003 03/07/13 © 2013 Pentair Ltd. All Rights Reserved.

www.powerzone.com