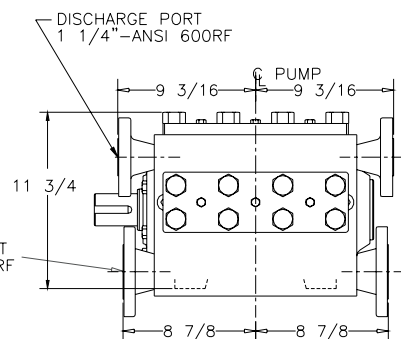
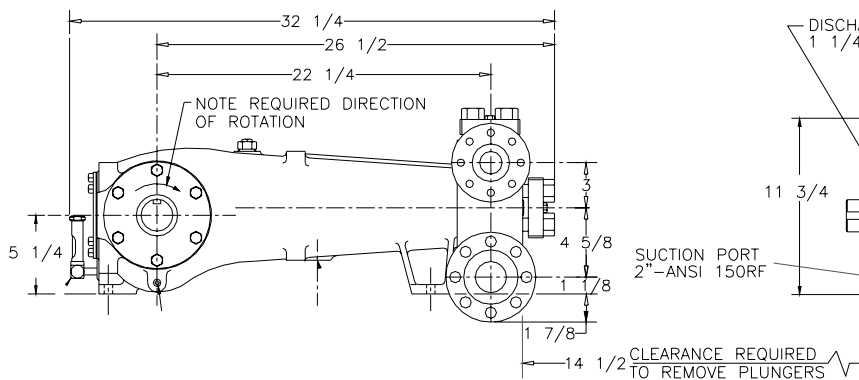
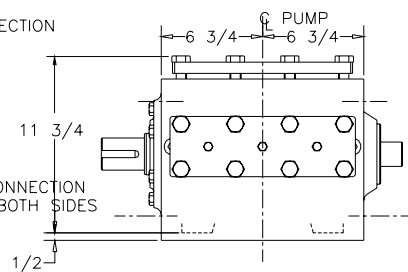
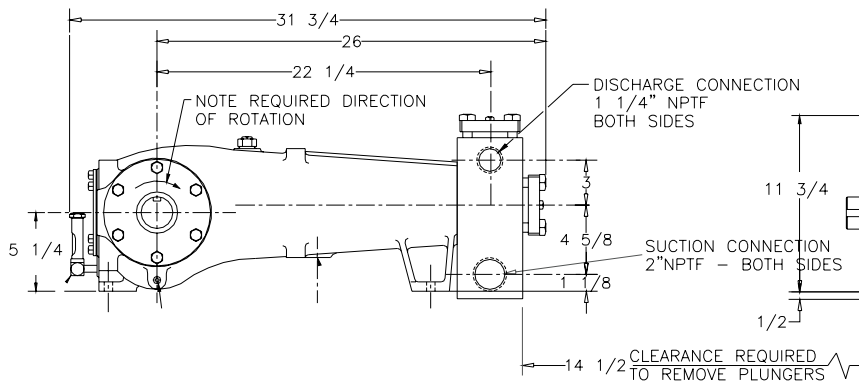
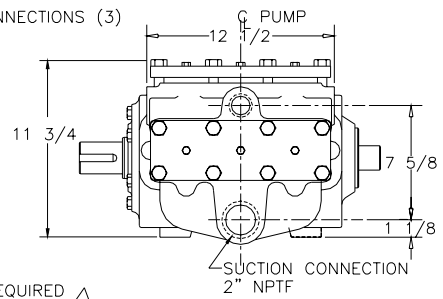
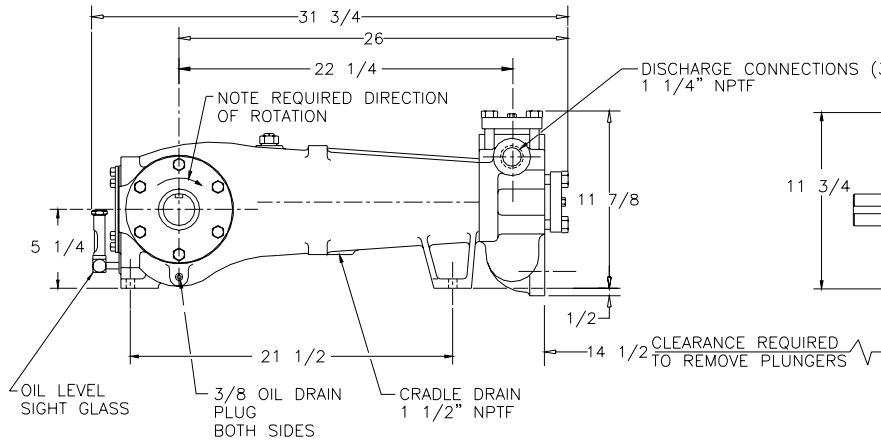
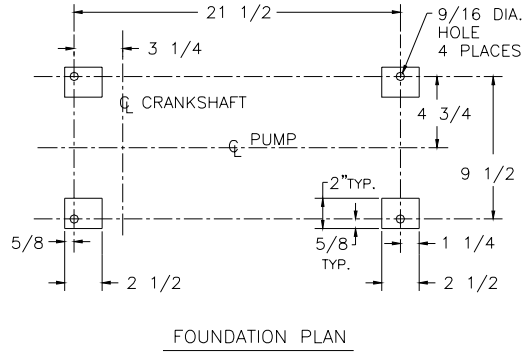
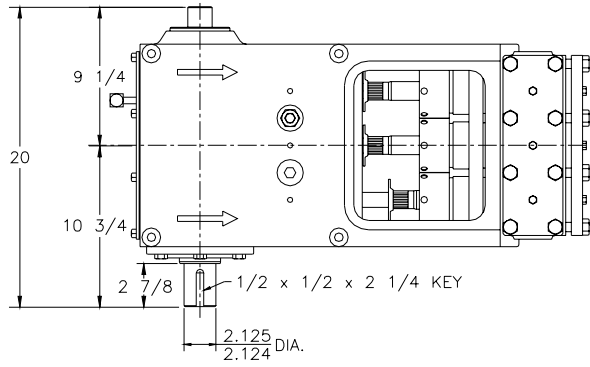




# MA-25M Triplex Pump



# ENGINEERING DATA

## MA-25M Triplex Pump

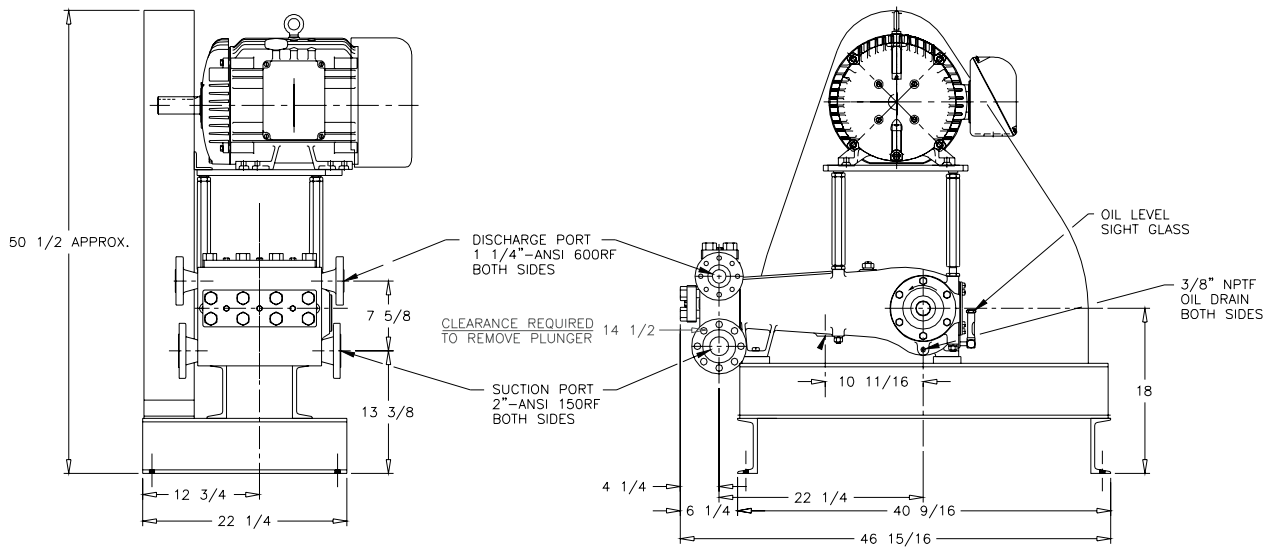
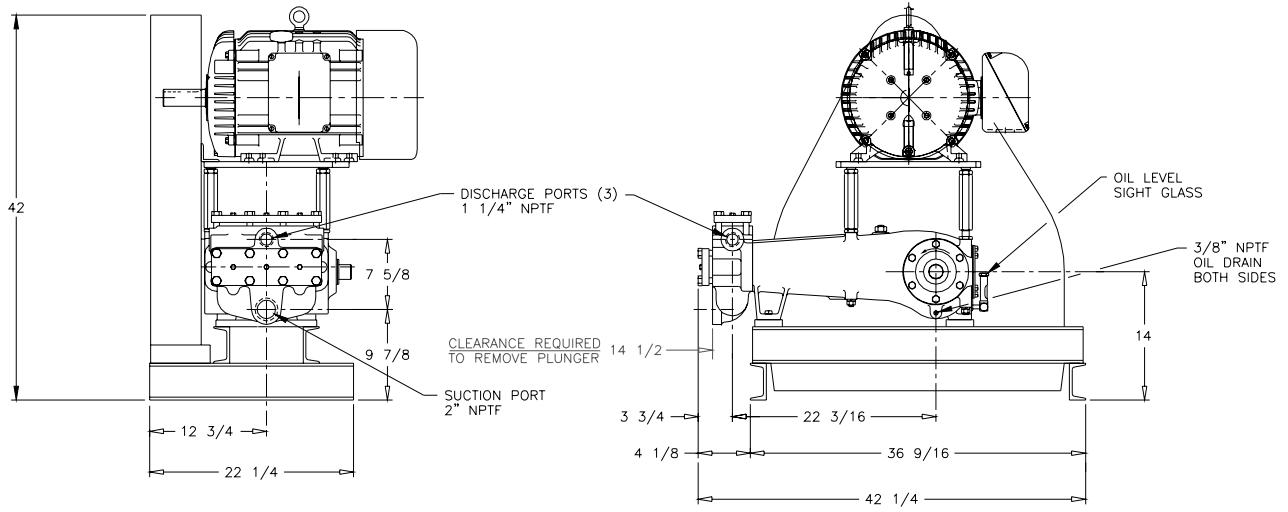
### POWER END ENGINEERING DATA

Max. Input HP @ Speed .....	25 HP @ 600 rpm
Rated Continuous Plunger Load .....	2,475 lb.
Normal Continuous Speed Range .....	150 to 500 rpm
Minimum Speed.....	100 rpm
Oil Capacity .....	5 U.S. Qrts
Power End Oiling System .....	Splash & Scoop
Power Frame, One-Piece .....	Cast Iron
Crosshead, Full Cylindrical .....	Cast Iron
Crosshead, Dia. x Length .....	3 1/4 x 3 5/8 in.
Crankshaft .....	Ductile Iron
Crankshaft Diameters:	
At Tapered Roller Bearings .....	3.15 in.
At Crankpin Bearings .....	2.25 in.
Crosshead (Wrist) Pin, Case-Hardened and Ground .....	AISI 8620
Main Bearings, Tapered Roller .....	Timken®
Crankpin Bearings, Precision Automotive .....	Babbitt-Lined
Extension (Pony) Rod, Integral w/ Plungers .....	316 S.S.
Connecting Rod, Automotive Type .....	Ductile Iron
Average Crosshead Speed @ 600 rpm.....	200 fpm
Minimum Life Expectancy, Main Bearings, L <sub>10</sub> .....	50,000+ hr.

### LIQUID END ENGINEERING DATA

Max. Continuous Working Pressure .....	3,500 psi
Hydrostatic Test .....	5,250 psi
Liquid End Materials, A.S.T.M.	
Nickel Aluminum Bronze Casting.....	B148-C955
Carbon Steel Block .....	A516 Gr.70 or A105
Stainless Steel Block .....	Various Grades
Ductile Iron Casting.....	A536 80-55-06
Plunger Type “Rokide” (Chromium Oxide-Coated) .....	316 S.S.
Stuffing Boxes, Field-Removable and Replaceable .....	Stainless Steel
Packing Types Available	
Gland-loaded, Non-Adjustable .....	Style 838
Spring-loaded, Braided Teflon & Kevlar .....	Style 140
Spring-loaded, Cup-type .....	Style 120X
Spring-loaded, Garlock .....	Style 892IK
Valve Cover and Cyl. Head Plugs .....	316 S.S.
Retainer Plates, Steel, A.S.T.M. ....	A36
Seals, Stuffing Boxes, Valve Covers .....	Buna-N
Bolting, High Strength, Heat Treated .....	Alloy Steel
Valve Types Available	
Standard, Acetal Resin .....	Delrin®
Optional, Hardened and Lapped .....	17-4PH S.S.
Daul Stem Guided .....	17-4PH S.S.
Valve Spring Material .....	Inconel®
Valve Seat, Liquid Passage Area	
Plate (disc) Valves, (Delrin or S.S.) .....	1.4 sq.in.
Dual Stem Guided Valves .....	.96 sq.in.
Avg. Liquid Velocity with 1 7/8” plungers @ 600 rpm	
thru Disc Valves .....	6.57 fps
thru Dual Stem Guided Valves.....	9.61 fps
thru Suction Manifold.....	4.12 fps
thru Discharge Manifold .....	10.75 fps

# MA-25M Triplex Pump



740 EAST 9TH STREET, ASHLAND, OHIO 44805  
 WWW.MYERSAPLEX.COM

269 TRILLIUM DRIVE, KITCHENER, ONTARIO, CANADA N2G 4W5  
 WWW.MYERSAPLEX.COM

Delrin® is a registered trademark of E.L. duPont  
 Inconel® is a registered trademark of the Special Metals family of companies  
 Timken® is a registered trademark of The Timken Company  
 Myers® is a registered trademark of Pentair Ltd.

Because we are continuously improving our products and services, Pentair reserves the right to change specifications without prior notice.  
 MA1004 03/07/13 © 2013 Pentair Ltd. All Rights Reserved.

[www.powerzone.com](http://www.powerzone.com)