



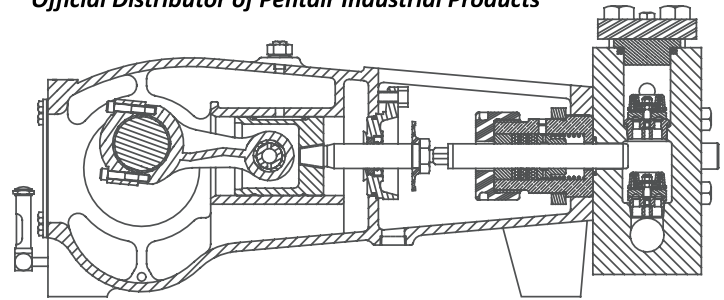
**POWER ZONE**  
Equipment, Inc.

Official Distributor of Pentair Industrial Products

# MYERS® APLEX SERIES

## MA-40H

### TRIPLEX PLUNGER PUMP



No. of plungers.....	3
Maximum rated speed.....	550 rpm
Stroke length.....	2.5 in. 63.5 mm
Maximum rated power.....	40.0 HP 29.8 KW
Maximum rod load .....	3456 lb. 15.3 kN
Weight.....	845 lbs.

#### ENGLISH UNITS

#### MA-40H

PLUNGER SIZE IN.	STUFFING BOX BORE IN.	MAX PSI	* GALLON PER/REV.	200 RPM US GPM	250 RPM US GPM	350 RPM US GPM	450 RPM US GPM	550 RPM US GPM
1.00	1.750	4392	0.026	5.1	6.4	8.9	11.5	14.0
.875	1.500	5000	0.020	3.9	4.9	6.8	8.8	10.7
<i>HP REQUIRED @ RPM**</i>				14.5	18.2	25.4	32.7	40.0

#### ENGLISH UNITS

#### MA-40H

PLUNGER SIZE MM.	STUFFING BOX BORE MM.	MAX PRESS. BAR	* LITER PER/ REV.	200 RPM LPM	250 RPM LPM	350 RPM LPM	450 RPM LPM	550 RPM LPM
25.4	44.5	320.8	0.097	19.3	24.1	33.8	43.4	53.1
22.2	38.1	344.7	0.074	14.8	18.5	25.8	33.2	40.6
<i>KW REQUIRED @ RPM**</i>				10.8	13.6	18.9	24.4	29.8

\*Displacement based on 100% Volumetric Efficiency

\*\*Power based on 90% Mechanical Efficiency

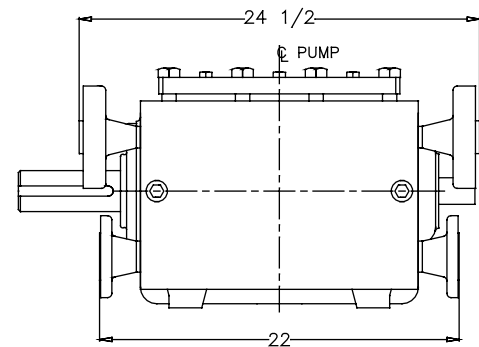
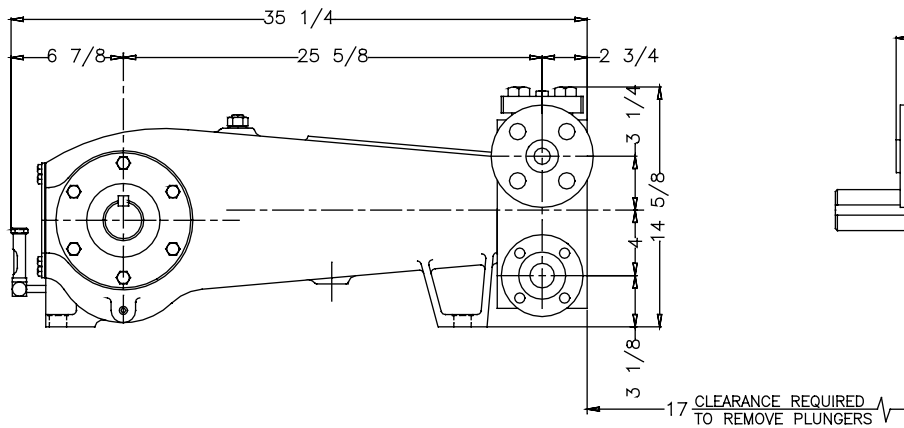
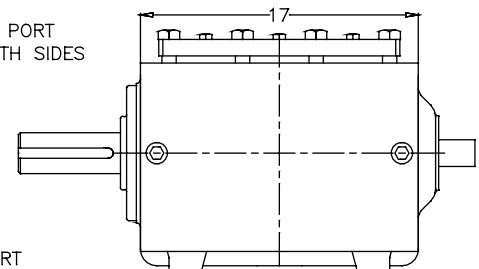
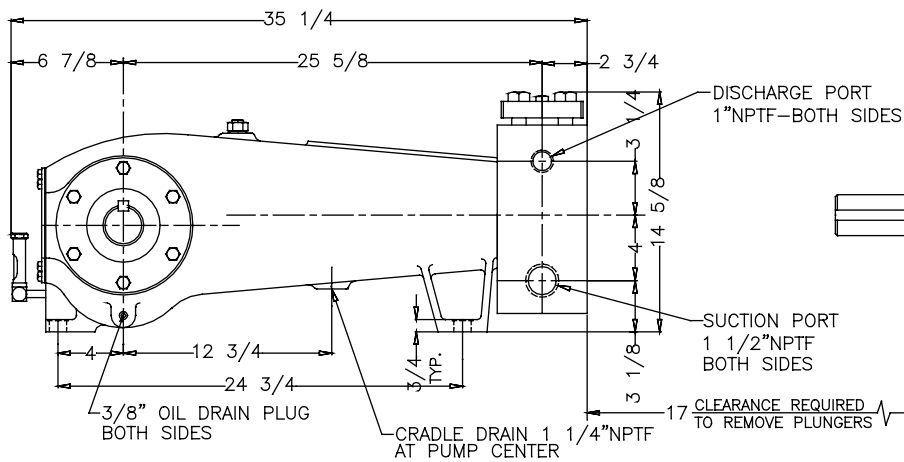
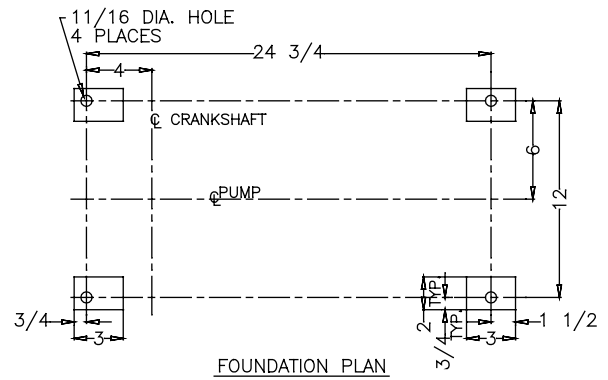
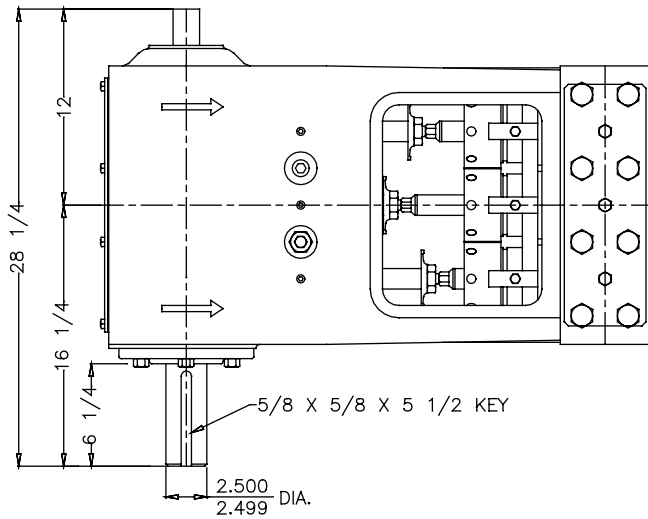
$$IHP = \frac{USGPM \times (\text{Discharge psig} - 1/2 \text{ Suction psig})}{1542}$$

$$IKW = \frac{M^3/HR \times (\text{Discharge Bar} - 1/2 \text{ Suction Bar})}{17.99}$$

$$PUMP \text{ RPM} = \frac{USGPM \text{ Desired}}{USGPM \text{ per Revolution of Selected Plunger}}$$

$$PUMP \text{ RPM} = \frac{M^3/HR \text{ Desired}}{M^3 \text{ per Revolution of Selected Plunger}}$$

# MA-40H Triplex Pump



# ENGINEERING DATA

## MA-40H Triplex Pump

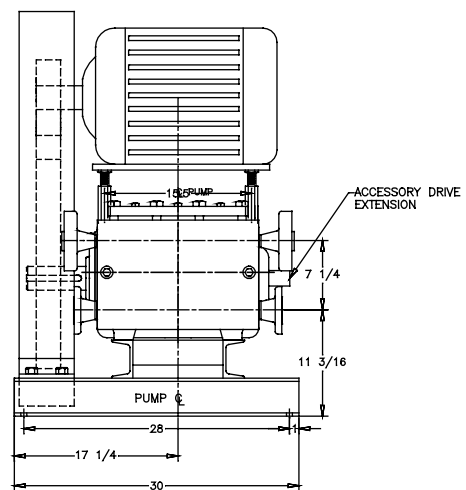
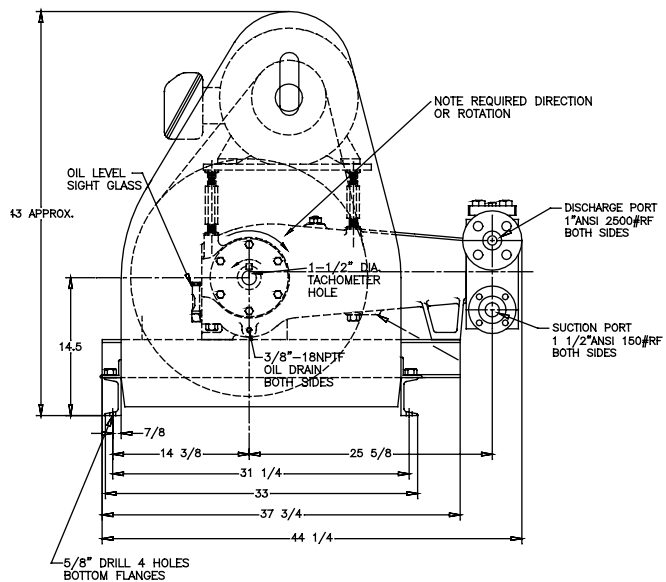
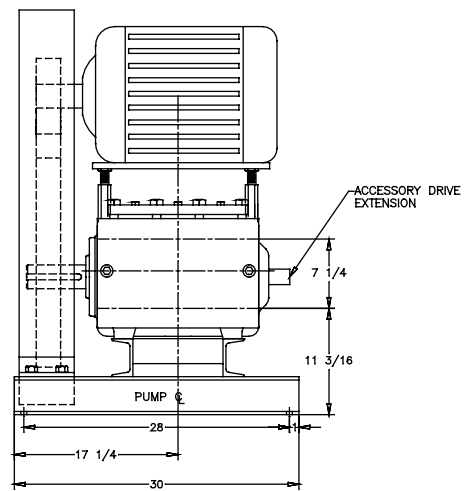
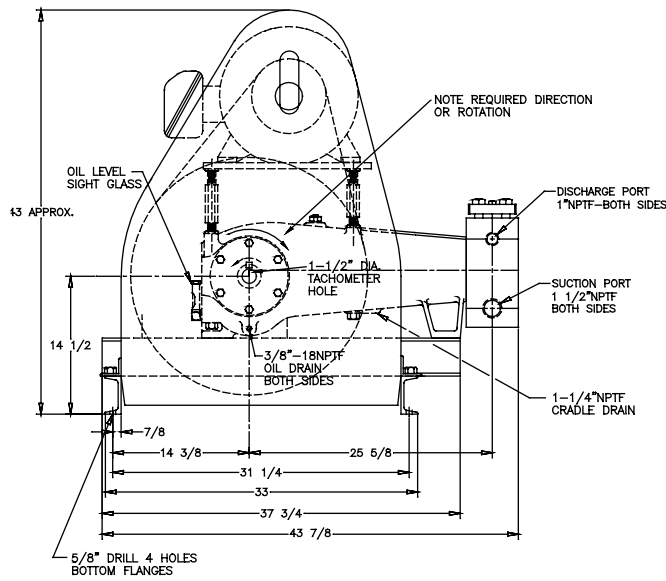
### POWER END ENGINEERING DATA

Max. Input Power @ Speed .....	40 HP@ 550 rpm
Rated Continuous Plunger Load .....	3,456 lb.
Max. Rated Continuous Speed.....	550 rpm
Normal Continuous Speed Range .....	150 to 500 rpm
Minimum Speed .....	100 rpm
Oil Capacity .....	8 U.S. Qrts
Power End Oiling System .....	Splash & Scoop
Power Frame, One-Piece .....	Cast Iron
Crosshead, Full Cylindrical .....	Cast Iron
Crosshead, Dia. x Length.....	4 x 4 1/2 in.
Crankshaft .....	Ductile Iron
Crankshaft Diameters:	
At Tapered Roller Bearings .....	2 3/4 in.
At Crankpin Bearings, Dia. x Length .....	2 3/4 x 2 in.
Crosshead (Wrist) Pin, Case-Hardened and Ground .....	AISI 8620
Wrist Pin Bushing, SAE 660, dia. x width .....	1 5/16 x 2 in.
Main Bearings, Tapered Roller .....	Timken®
Crankpin Bearings, Precision Automotive.....	Steel Backed, Babbitt-Lined
Extension (Pony) Rod, Integral w/ Plungers .....	316 S.S.
Connecting Rod, Automotive Type .....	Ductile Iron
Average Crosshead Speed @ 550 rpm .....	229 fpm
Minimum Life Expectancy, Main Bearings, L <sub>10</sub> .....	100,000+ hr.

### LIQUID END ENGINEERING DATA

Max. Continuous Working Pressure .....	5,000 psi
Hydrostatic Test .....	7,500 psi
Available Liquid End Materials, A.S.T.M.	
Stainless Steel Block.....	15-5PH
Forged Steel Block .....	4140 or A105
Plunger Type "Rokide" (Chromium Oxide-Coated) .....	316 S.S.
Stuffing Boxes, Field-Removable and Replaceable	
Carbon Steel.....	1020
Stainless Steel, Hardened.....	17-4PH
Packing Types Available	
Spring-loaded, Braided Teflon & Kevlar .....	Style 140
Spring-loaded, cup-type .....	Style 120X
Valve Cover and Cyl. Head Plugs .....	416 S.S.
Retainer Plates, Ductile Iron, A.S.T.M. ....	A36
Seals, Stuffing Boxes, Valve Covers, Cyl. Heads .....	Buna-N
Valve Types:	
Disc Valves .....	17-4PH
Valve Spring Material .....	Inconel®
Valve Seat, Liquid Passage Areas .....	1.4 sq.in.
Avg. Liquid Velocity with 1 1/4" plungers @ 550 rpm	
thru Valves.....	3.348 fps
thru Suction Manifold .....	2.91 fps
thru Discharge Manifold .....	13.56 fps

# MA-40H Triplex Pump



740 EAST 9TH STREET,  
ASHLAND, OHIO 44805  
WWW.FEMYERS.COM

269 TRILLIUM DRIVE, KITCHENER,  
ONTARIO, CANADA N2G 4W5  
WWW.FEMYERS.COM

Inconel® is a registered trademark of the Special Metals family of companies  
Timken® is a registered trademark of The Timken Company  
Myers® is a registered trademark of Pentair Ltd.

Because we are continuously improving our products and services, Pentair reserves the right to change specifications without prior notice.  
MA1007 05/07/13 © 2013 Pentair Ltd. All Rights Reserved.

[www.powerzone.com](http://www.powerzone.com)