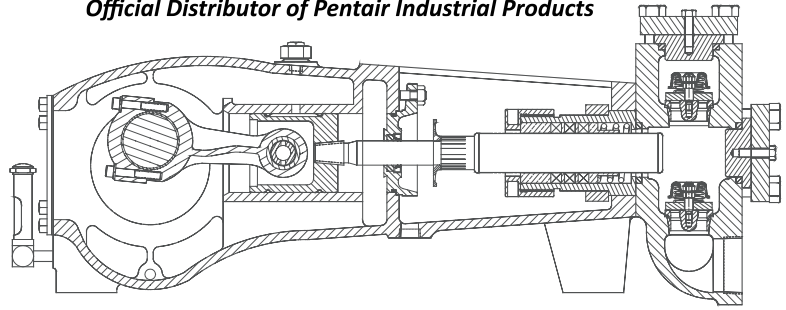


MYERS® APLEX SERIES
MA-40M
TRIPLEX PLUNGER PUMP


No. of plungers.....	3
Maximum rated speed.....	550 rpm
Stroke length.....	2.5 in. 63.5 mm
Maximum rated power.....	40.0 HP 29.8 KW
Maximum rod load	3456 lb. 15.3 kN
Weight	750 lbs.

ENGLISH UNITS								MA-40M
PLUNGER SIZE IN.	STUFFING BOX BORE IN.	MAX PSI	* GALLON PER/REV.	200 RPM US GPM	250 RPM US GPM	350 RPM US GPM	450 RPM US GPM	550 RPM US GPM
2.250	2.875	867	0.129	25.8	32.3	45.2	58.1	71.0
2.125	2.875	973	0.115	23.0	28.8	40.3	51.8	63.3
2.000	2.875	1098	0.102	20.4	25.5	35.7	45.9	56.1
1.875	2.875	1249	0.090	17.9	22.4	31.4	40.3	49.3
1.750	2.875	1433	0.078	15.6	19.5	27.3	35.1	43.0
1.625	2.500	1663	0.067	13.5	16.8	23.6	30.3	37.0
1.500	2.500	1951	0.057	11.5	14.3	20.1	25.8	31.6
1.375	2.250	2321	0.048	9.6	12.1	16.9	21.7	26.5
1.250	2.250	2809	0.040	8.0	10.0	13.9	17.9	21.9
1.125	1.750	3468	0.032	6.5	8.1	11.3	14.5	17.8
HP REQUIRED @ RPM**				14.5	18.1	25.4	32.7	40.0

METRIC UNITS								MA-40M
PLUNGER SIZE MM.	STUFFING BOX BORE MM.	MAX PRESS. BAR	* LITER PER/REV.	200 RPM LPM	250 RPM LPM	350 RPM LPM	450 RPM LPM	550 RPM LPM
57.2	73.0	60	0.489	97.7	122.2	171.0	219.9	268.8
54.0	73.0	67.0	0.436	87.1	108.9	152.5	196.1	239.6
50.8	73.0	76	0.386	77.2	96.5	135.1	173.7	212.4
47.6	73.0	86	0.339	67.8	84.8	118.7	152.6	186.6
44.5	73.0	99	0.296	59.1	73.9	103.5	133.0	162.6
41.3	63.5	115	0.255	51.0	63.7	89.2	114.7	140.1
38.1	63.5	135	0.217	43.4	54.3	76.0	97.7	119.5
34.9	57.1	160.0	0.183	36.5	45.6	63.9	82.1	100.4
31.7	57.1	193.6	0.151	30.1	37.7	52.7	67.8	82.9
28.5	44.5	239.1	0.122	24.5	30.6	42.8	55.0	67.3
KW REQUIRED @ RPM**				10.8	13.5	18.9	24.4	29.8

*Displacement based on 100% Volumetric Efficiency

**Power based on 90% Mechanical Efficiency

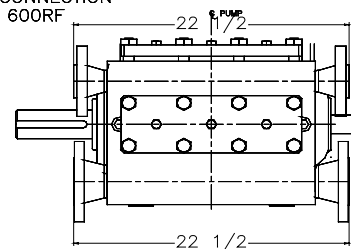
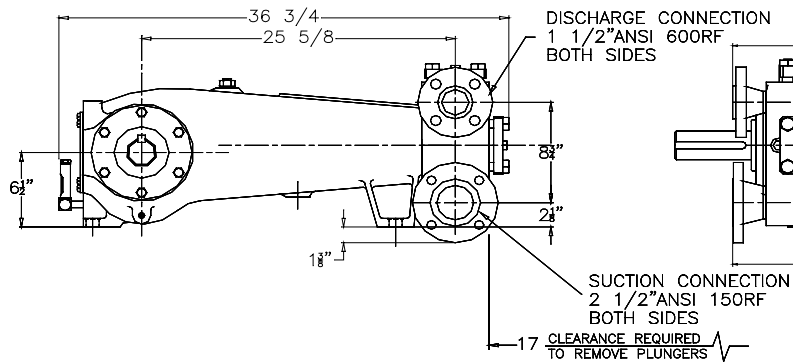
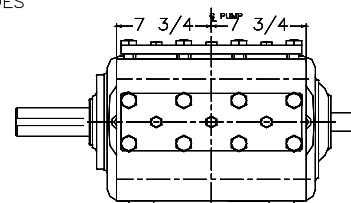
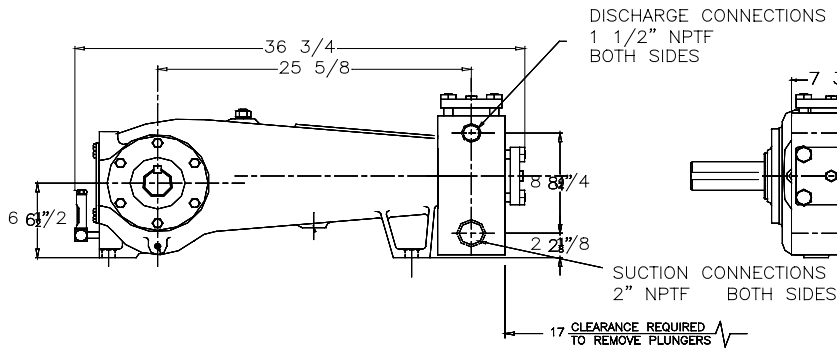
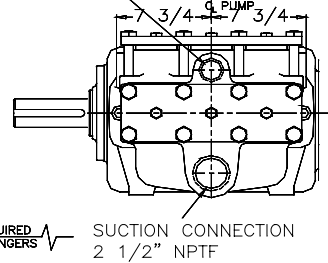
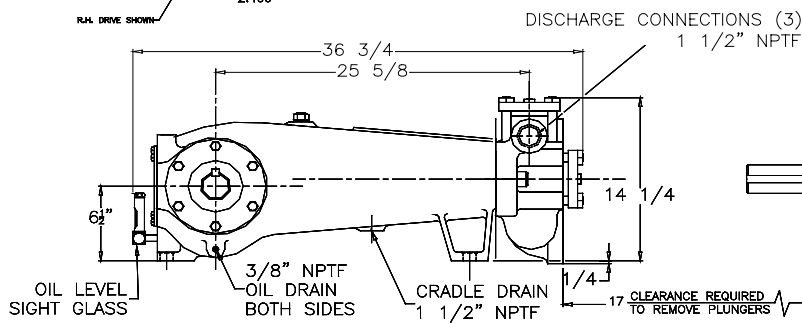
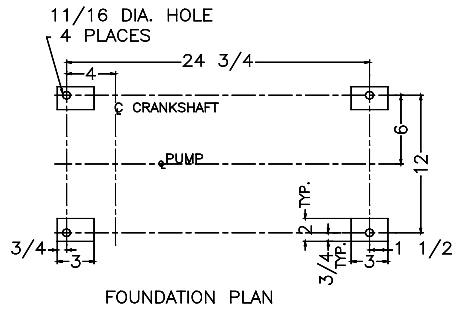
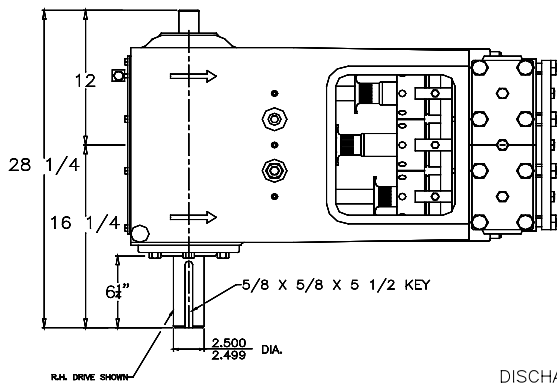
$$IHP = \frac{USGPM \times (\text{Discharge psig} - 1/2 \text{ Suction psig})}{1542}$$

$$IKW = \frac{M^3/HR \times (\text{Discharge Bar} - 1/2 \text{ SuctionBar})}{17.99}$$

$$PUMP \text{ RPM} = \frac{USGPM \text{ Desired}}{USGPM \text{ per Revolution of Selected Plunger}}$$

$$PUMP \text{ RPM} = \frac{M^3/HR \text{ Desired}}{M^3 \text{ per Revolution of Selected Plunger}}$$

MA-40M Triplex Pump



ENGINEERING DATA

MA-40M Triplex Pump

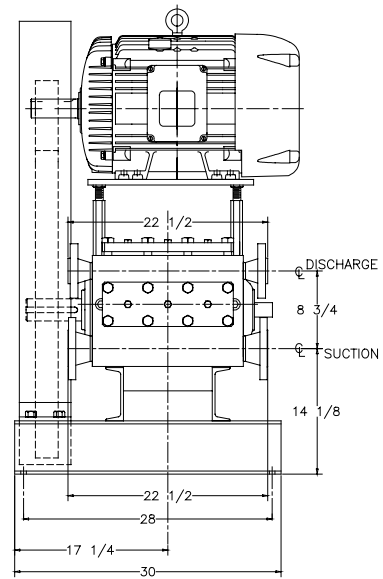
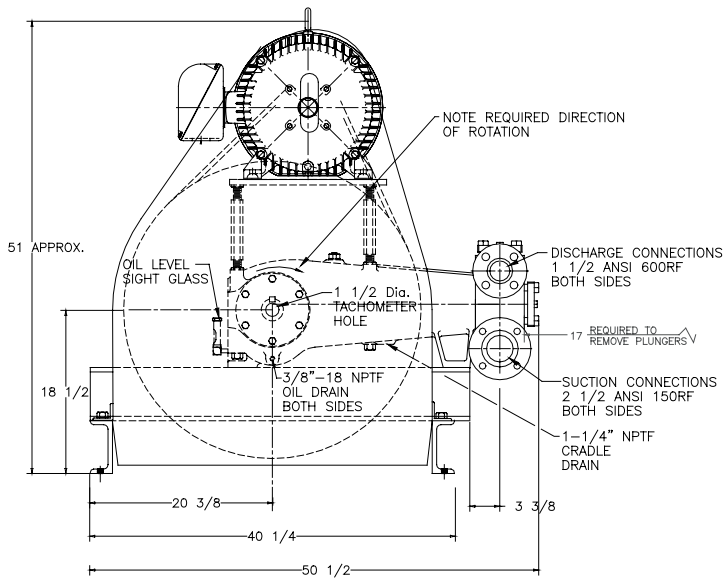
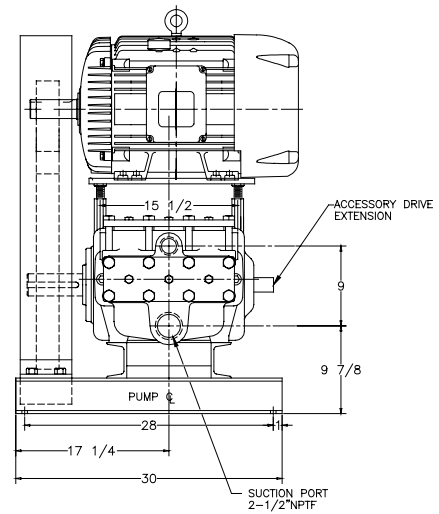
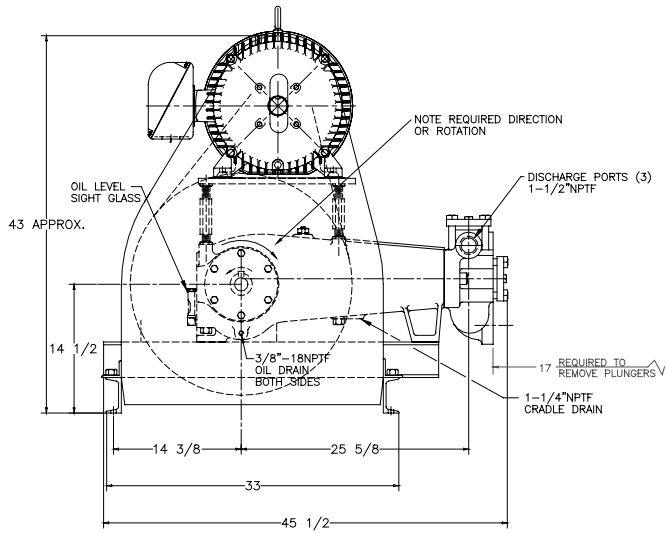
POWER END ENGINEERING DATA

Max. Input Power @ Speed	40 HP@ 600 rpm
Rated Continuous Plunger Load	3,456 lb.
Max. Rated Continuous Speed.....	550 rpm
Normal Continuous Speed Range	150 to 500 rpm
Minimum Speed	100 rpm
Oil Capacity	5 U.S. Qrts
Power End Oiling System	Splash & Scoop
Power Frame, One-Piece	Cast Iron
Crosshead, Full Cylindrical	Cast Iron
Crosshead, Dia. x Length.....	4 x 4 1/2 in.
Crankshaft	Ductile Iron
Crankshaft Diameters:	
At Tapered Roller Bearings	3.35 in.
At Crankpin Bearings, Dia. x Length	2 3/4 x 2 in.
Crosshead (Wrist) Pin, Case-Hardened and Ground	AISI 8620
Wrist Pin Bushing, SAE 660, dia. x width	1 5/16 x 2 in.
Main Bearings, Tapered Roller	Timken®
Crankpin Bearings, Precision Automotive.....	Steel Backed, Babbitt-Lined
Extension (Pony) Rod, Integral w/ Plungers	316 S.S.
Connecting Rod, Automotive Type	Ductile Iron
Average Crosshead Speed @ 550 rpm	229 fpm
Minimum Life Expectancy, Main Bearings, L ₁₀	100,000+ hr.

LIQUID END ENGINEERING DATA

Max. Continuous Working Pressure	3,000 psi
Hydrostatic Test	4,500 psi
Available Liquid End Materials, A.S.T.M.	
Nickel Aluminum Bronze Casting	B148-C955
Carbon Steel Block	A516 Gr. 70 or A105
Stainless Steel Block	Various Grades
Ductile Iron Casting.....	A536 80-55-06
Plunger Type “Rokide” (Chromium Oxide-Coated)	316 S.S.
Stuffing Boxes, Field-Removable and Replaceable	Stainless Steel
Packing Types Available	
Gland-loaded, Non-Adjustable	Style 838
Spring-loaded, Braided Teflon & Kevlar	Style 140
Spring-loaded, cup-type	Style 120X
Spring-loaded, Garlock	Style 892IK
Valve Cover and Cyl. Head Plugs	316 S.S.
Retainer Plates, Ductile Iron, A.S.T.M.	A536 80-55-06
Seals, Stuffing Boxes, Valve Covers, Cyl. Heads	Buna-N
Valve Types	
Standard, Acetal Resin	Delrin®
Optional, Hardened and Lapped	17-4 PH S.S.
Dual Stem Guided.....	17-4PH S.S.
Valve Spring Material	Inconel®
Valve Seat, Liquid Passage Areas	
Plate (disc) Valves, (Delrin or S.S.)	2.3 sq.in.
Dual Stem Guided Valves	1.5 sq.in.
Avg. Liquid Velocity with 2 1/4” plungers @ 550 rpm	
thru Disc Valves	6.6 fps
thru Dual Stem Guided Valves.....	11.2 fps
thru Suction Manifold	4.12 fps
thru Discharge Manifold	12.8 fps

MA-40M Triplex Pump



740 EAST 9TH STREET,
ASHLAND, OHIO 44805
WWW.MYERSAPLEX.COM

269 TRILLIUM DRIVE, KITCHENER,
ONTARIO, CANADA N2G 4W5
WWW.MYERSAPLEX.COM

Delrin® is a registered trademark of E.L. duPont
Inconel® is a registered trademark of the Special Metals family of companies
Timken® is a registered trademark of The Timken Company
Myers® is a registered trademark of Pentair Ltd.

Because we are continuously improving our products and services, Pentair reserves the right to change specifications without prior notice.
MA1009 03/07/13 © 2013 Pentair Ltd. All Rights Reserved.

www.powerzone.com