



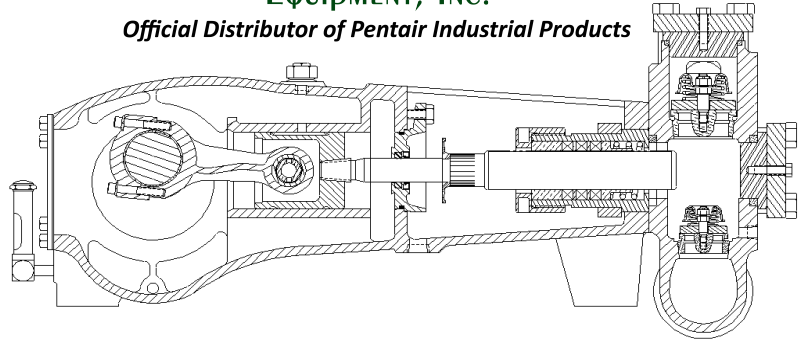
POWER ZONE
Equipment, Inc.

Official Distributor of Pentair Industrial Products

MYERS® APLEX SERIES

MA-75L

QUINTUPLEX PLUNGER PUMP



No. of plungers.....	5		
Maximum rated speed.....	550 rpm		
Stroke length.....	2.75 in.	69.9 mm	
Maximum rated power.....	75.0 HP	55.9 KW	
Maximum rod load	3535 lb.	15.69 kN	
Weight	1435 lbs.		

ENGLISH UNITS							
PLUNGER SIZE IN.	STUFFING BOX BORE IN.	MAX PSI.	* GALLON PER./REV.	250 RPM USGPM	350 RPM USGPM	450 RPM USGPM	550 RPM USGPM
2.750	3.500	595	0.3535	88.4	123.7	159.1	194.4
2.625	3.500	653	0.3222	80.6	112.8	145.0	177.2
2.500	3.250	720	0.2922	73.1	102.3	131.5	160.7
2.375	3.250	798	0.2637	65.9	92.3	118.7	145.0
2.250	2.875	889	0.2367	59.0	82.9	106.5	130.2
<i>HP REQUIRED @ RPM**</i>				34.0	47.6	61.3	75.0

METRIC UNITS							
PLUNGER SIZE M.M	STUFFING BOX BORE MM.	MAX PRESS. BAR	*LITER PER./REV	250 RPM LPM	350 RPM LPM	450 RPM LPM	550 RPM LPM
69.9	88.9	41.0	1.3384	334.6	468.4	468.4	736.1
66.7	88.9	45.0	1.2198	305.0	426.9	548.9	670.9
63.5	82.6	49.6	1.1063	276.6	387.2	497.8	608.5
60.3	82.6	55.0	0.9984	249.6	349.4	449.3	549.1
57.2	73.0	61.3	0.8961	224.0	313.6	403.2	492.9
<i>KW REQUIRED @ RPM**</i>				25.3	35.5	45.7	55.9

*Displacement based on 100% Volumetric Efficiency

**Power based on 90% Mechanical Efficiency

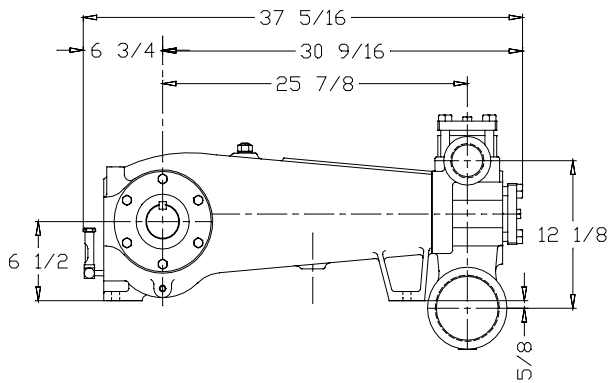
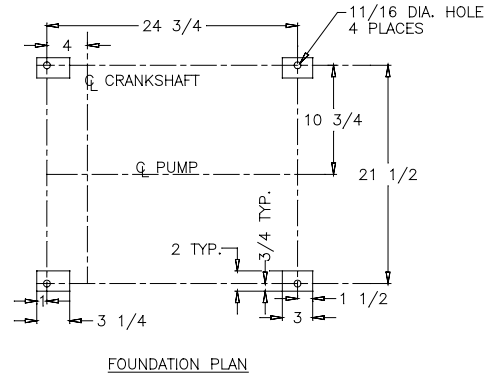
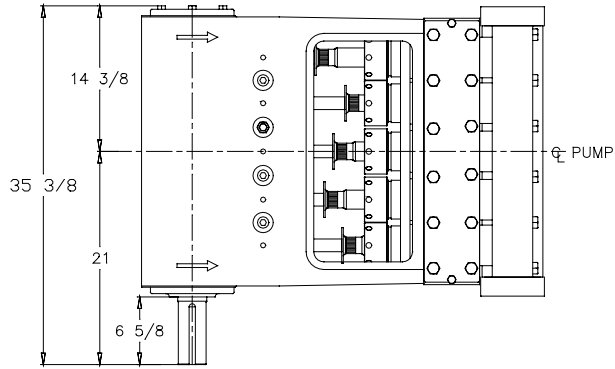
$$IHP = \frac{USGPM \times (\text{Discharge psig} - 1/2 \text{ Suction psig})}{1542}$$

$$IKW = \frac{M^3/HR \times (\text{Discharge Bar} - 1/2 \text{ Suction Bar})}{17.99}$$

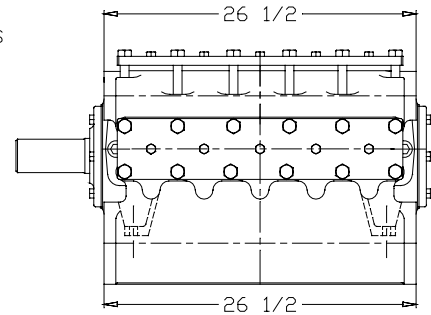
$$PUMP \text{ RPM} = \frac{USGPM \text{ Desired}}{USGPM \text{ per Revolution of Selected Plunger}}$$

$$PUMP \text{ RPM} = \frac{M^3/HR \text{ Desired}}{M^3 \text{ per Revolution of Selected Plunger}}$$

MA-75L Quintuplex Pump



DISCHARGE CONNECTIONS
2-1/2"NPTF - BOTH SIDES



ENGINEERING DATA

MA-75L Quintuplex Pump

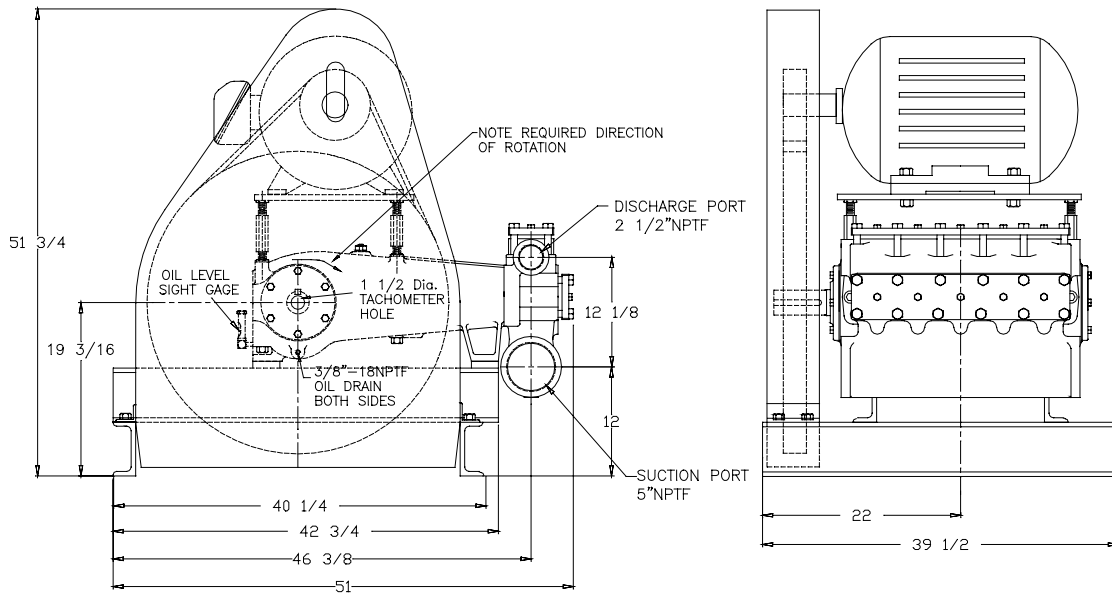
POWER END ENGINEERING DATA

Max. Input Power @ Speed	75 HP @ 550 rpm
Rated Continuous Plunger Load	3,535 lb.
Max. Rated Continuous Speed.....	550 rpm
Normal Continuous Speed Range	150 to 500 rpm
Minimum Speed	100 rpm
Oil Capacity	12 U.S. Qrts
Power End Oiling System	Splash & Scoop
Power Frame, One-Piece	Cast Iron
Crosshead, Full Cylindrical	Cast Iron
Crosshead, Dia. x Length	4 x 4 1/2 in.
Crankshaft	Ductile Iron
Crankshaft Diameters:	
At Tapered Roller Bearings	3.35 in.
At Crankpin Bearings, Dia. x Length	2 3/4 x 2 in.
Crosshead (Wrist) Pin, Case-Hardened and Ground	AISI 8620
Wrist Pin Bushing, SAE 660, dia. x width	1 5/16 x 2 in.
Main Bearings, Tapered Roller	Timken®
Center Bearings, Two Precision Steel Backed	Babbitt Lined
Crankpin Bearings, Precision Automotive.....	Steel Backed, Babbitt-Lined
Extension (Pony) Rod Integral w/ Plungers	316 S.S.
Connecting Rod, Automotive Type	Ductile Iron
Average Crosshead Speed @ 550 rpm	252 fpm
Minimum Life Expectancy, Main Bearings, L ₁₀	100,000+ hrs.

LIQUID END ENGINEERING DATA

Max. Continuous Working Pressure	889 psi
Hydrostatic Test	1,300 psi
Available Liquid End Materials, A.S.T.M.	
Ductile Iron Casting.....	A536 80-55-06
Carbon Steel Block	A36
Stainless Steel Block	Various Grades
Plunger Type "Rokide" (Chromium Oxide-Coated)	416 S.S.
Stuffing Boxes, Field-Removable and Replaceable	
Carbon Steel	1020
Packing Types Available	
Gland-loaded, Non-Adjustable	Style 838
Spring-loaded, Braided Teflon & Kevlar	Style 140
Spring-loaded, cup-type	Style 120X
Spring-loaded, Garlock	Style 892IK
Valve Cover and Cyl. Head Plugs	416 or 316 S.S.
Retainer Plates, Ductile Iron, A.S.T.M.	A536 80-55-06
Seals, Stuffing Boxes, Valve Covers, Cyl. Heads	Buna-N
Available Valve Types:	
Standard, Acetal Resin	Delrin®
Optional, Disc Hardened and Lapped	17-4PH S.S.
Optional, Dual Stem Guided.....	17-4PH S.S.
Valve Spring Material	Inconel®
Valve Seat, Liquid Passage Area	
Plate (disc) Valves, (Delrin or S.S.)	2.4 sq.in.
Dual Stem Guided Valves	2.3 sq.in.
Avg. Liquid Velocity with 2 3/4" plungers @ 550 rpm	
thru Disc Valves	10.8 fps
thru Dual Stem Guided Valves.....	9.7 fps
thru Suction Manifold	2.3 fps
thru Discharge Manifold	12.5 fps

MA-75L Quintuplex Pump



740 EAST 9TH STREET,
ASHLAND, OHIO 44805
WWW.MYERSAPLEX.COM

269 TRILLIUM DRIVE, KITCHENER,
ONTARIO, CANADA N2G 4W5
WWW.MYERSAPLEX.COM

Delrin® is a registered trademark of E.L. duPont
Inconel® is a registered trademark of the Special Metals family of companies
Timken® is a registered trademark of The Timken Company
Myers® is a registered trademark of Pentair Ltd.

Because we are continuously improving our products and services, Pentair reserves the right to change specifications without prior notice.
MA1015 03/07/13 © 2013 Pentair Ltd. All Rights Reserved.

www.powerzone.com