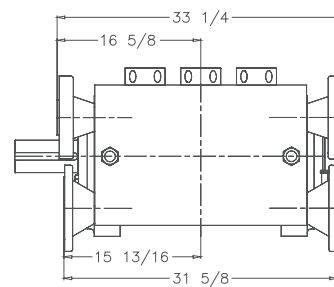
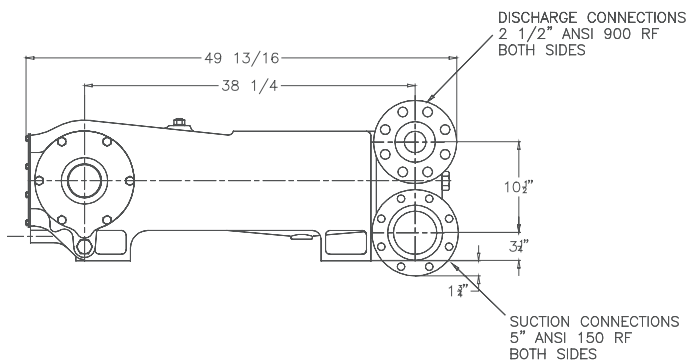
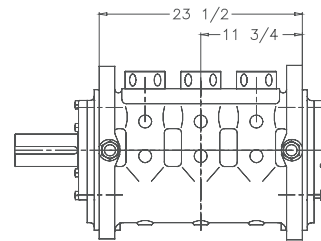
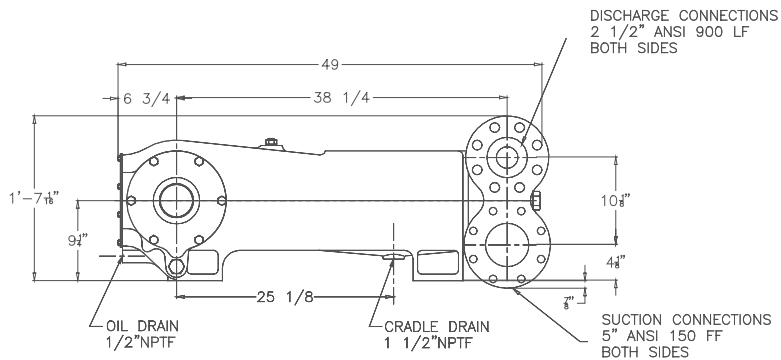
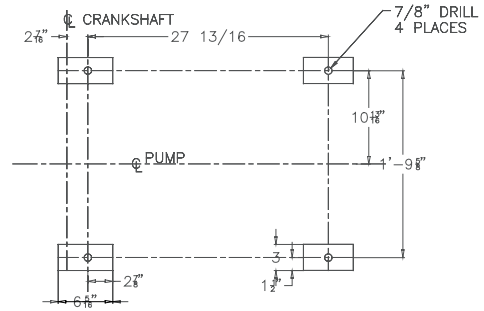
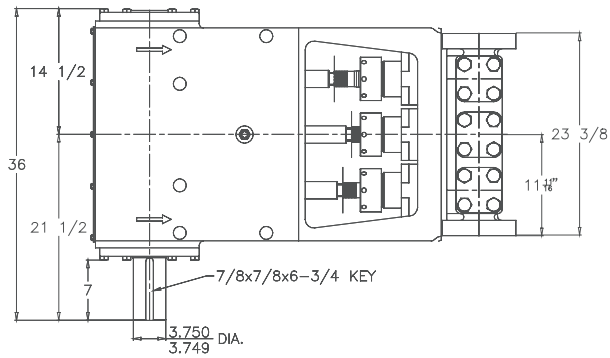




# RO-174 Triplex Pump



# ENGINEERING DATA

## RO-174 Triplex Pump

### POWER END ENGINEERING DATA

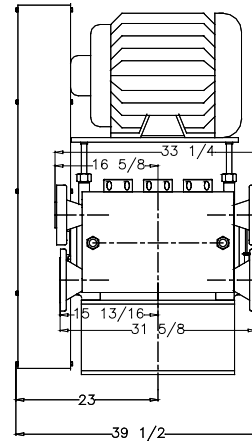
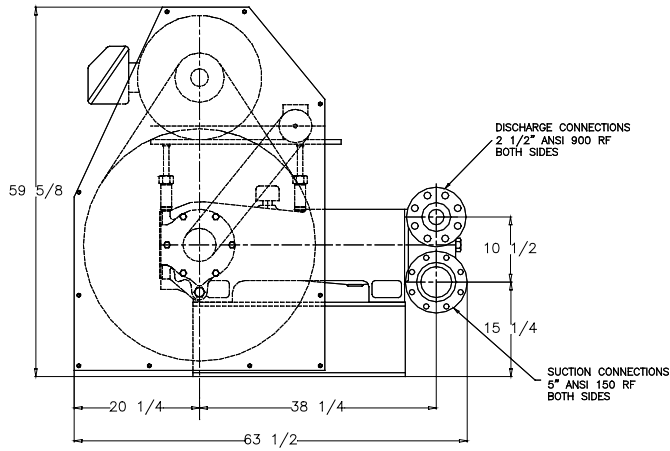
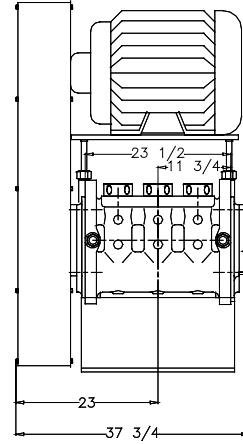
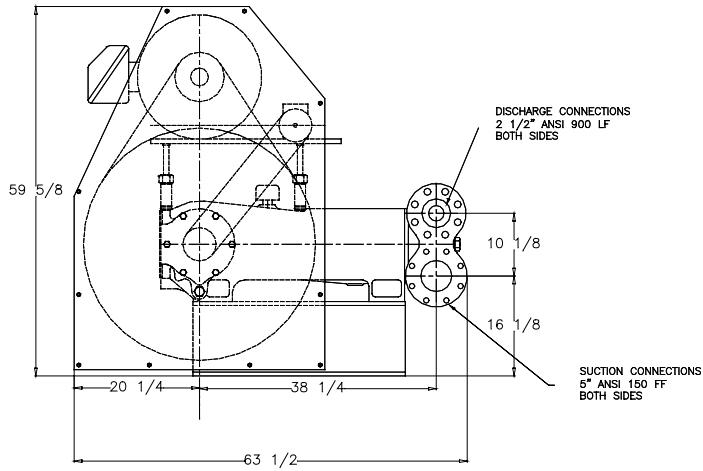
Max. Input Power @ Speed .....	125 HP @ 450 rpm
Rated Continuous Plunger Load .....	8,250 lb.
Normal Continuous Speed Range .....	300 to 420 rpm
Minimum Speed .....	100 rpm
Oil Capacity .....	18 U.S. Qrts
Power End Oiling System .....	Splash
Power Frame, One-Piece .....	Cast Iron
Crosshead, Full Cylindrical .....	Cast Iron
Crosshead, Dia. x Length .....	5 3/4 x 6 3/16 in.
Crankshaft .....	Ductile Iron
Crankshaft Diameters:	
At Tapered Roller Bearings .....	4 in.
At Crankpin Bearings, Dia. x Length .....	4 x 3 in.
Crosshead (Wrist) Pin, Case-Hardened and Ground .....	AISI 8620
Crosshead pin S.A.E.660 Dia. x Length .....	2 x 3 in.
Main Bearings, Tapered Roller .....	Timken®
Crankpin Bearings, Precision Automotive .....	Steel Backed, Babbitt-Lined
Extension (Pony) Rod Diameter .....	2 in.
Connecting Rod, Automotive Type .....	Ductile Iron
Average Crosshead Speed @ 450 rpm .....	300 fpm
Minimum Life Expectancy, Main Bearings, L <sub>10</sub> .....	60,000+ hr.

### LIQUID END ENGINEERING DATA

Max. Continuous Working Pressure .....	2,075 psi
Hydrostatic Test, Discharge .....	3,100 psi
Available Liquid End Materials, A.S.T.M.	
Nickel Aluminum Bronze .....	B148-C955
Stainless Steel Block .....	2205 Duplex S.ST.
Stainless Steel Block .....	316 S.ST.
Plunger Type "Rokide" (Chromium Oxide-Coated) .....	316 S.ST.
Stuffing Boxes, Field-Removable and Replaceable:	
Nickel Aluminum Bronze .....	B148-C955
Stainless Steel .....	316 S.ST.
Gland, Stuffing Box .....	Nickel Aluminum Bronze
Packing Types Available:	
Spring-loaded, cup-type .....	Style 120X
Spring-loaded, Garlock .....	Style 892IK
Seals, Stuffing Boxes and Valve Covers, .....	Buna-N
Available Valve Types:	
Standard, acetal resin .....	Delrin®
Optional, Hardened and Lapped .....	17-4 PH S.ST.
Valve Spring Material .....	Inconel®
Valve Seat, Liquid Passage Areas .....	6.26 sq.in.
Avg. Liquid Velocity @ 450 rpm:	
thru Valve .....	7.68 fps
thru Suction Manifold .....	3.60 fps
thru Discharge Manifold .....	17.02 fps

All drawings and specifications subject to change without notice.

# RO-174 Triplex Pump



740 EAST 9TH STREET, ASHLAND, OHIO 44805  
WWW.MYERSAPLEX.COM

269 TRILLIUM DRIVE, KITCHENER, ONTARIO, CANADA N2G 4W5  
WWW.MYERSAPLEX.COM

Delrin® is a registered trademark of E.L. duPont  
Inconel® is a registered trademark of the Special Metals family of companies  
Timken® is a registered trademark of The Timken Company  
Myers® is a registered trademark of Pentair Ltd.

Because we are continuously improving our products and services, Pentair reserves the right to change specifications without prior notice.  
MA2008 03/09/13 © 2013 Pentair Ltd. All Rights Reserved.