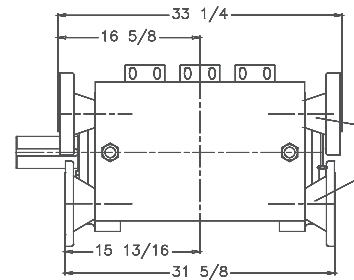
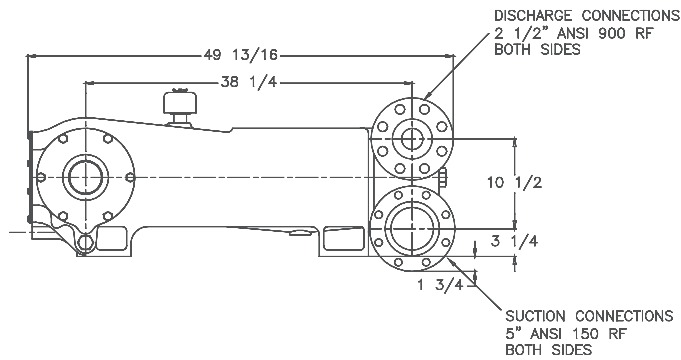
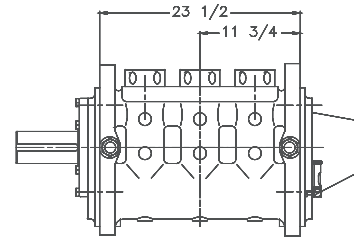
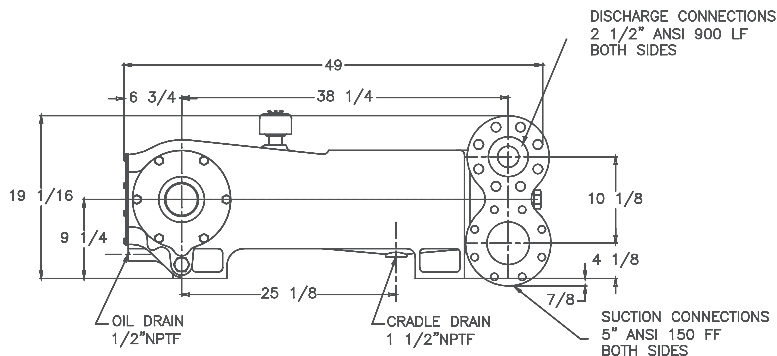
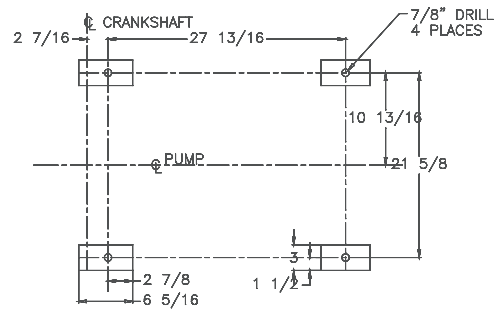
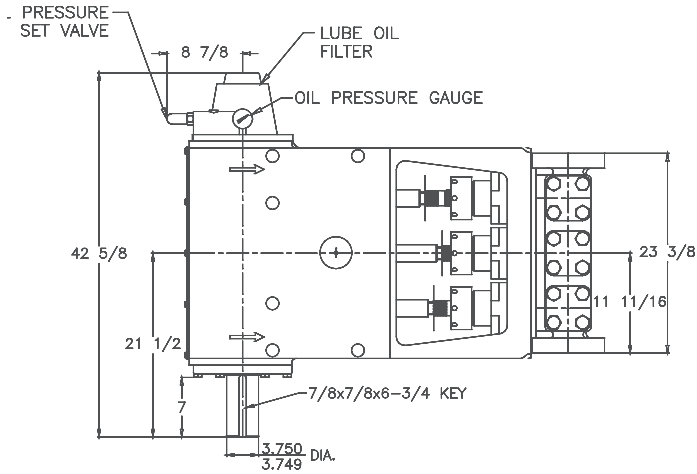


RO-185 Triplex Pump



ENGINEERING DATA

RO-185 Triplex Pump

POWER END ENGINEERING DATA

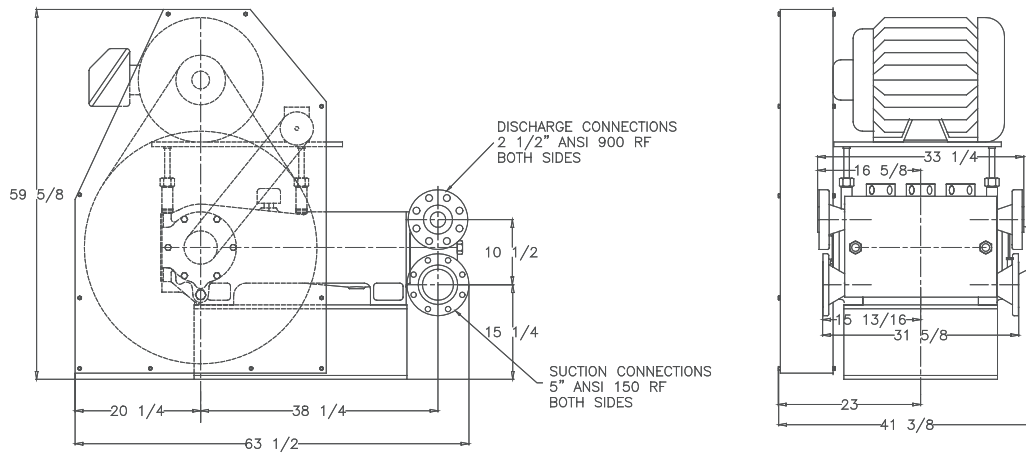
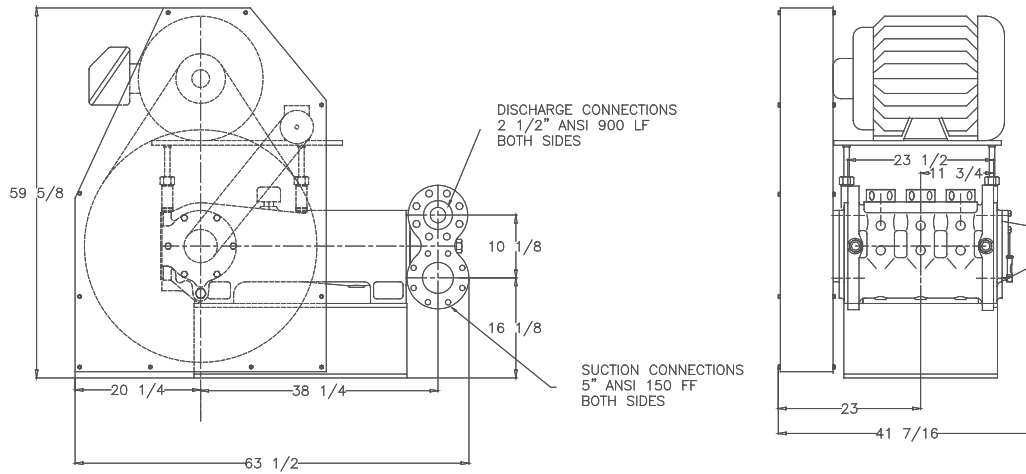
Max. Input Power @ Speed	140 HP @ 450 rpm
Rated Continuous Plunger Load	8,688 lb.
Normal Continuous Speed Range	300 to 420 rpm
Minimum Speed	100 rpm
Oil Capacity	18 U.S. Qrts
Power End Oiling System	Pressure Lubrication
Power Frame, One-Piece	Cast Iron
Crosshead, Full Cylindrical	Cast Iron
Crosshead, Dia. x Length	5 3/4 x 6 3/16 in.
Crankshaft	Ductile Iron
Crankshaft Diameters:	
At Tapered Roller Bearings	4 in.
At Crankpin Bearings, Dia. x Length	4 x 3 in.
Crosshead (Wrist) Pin, Case-Hardened and Ground	AISI 8620
Crosshead pin S.A.E.660 Dia. x Length	2 x 3 in.
Main Bearings, Tapered Roller	Timken®
Crankpin Bearings, Precision Automotive	Steel Backed, Babbitt-Lined
Extension (Pony) Rod Diameter	2 in.
Connecting Rod, Automotive Type	Ductile Iron
Average Crosshead Speed @ 450 rpm	300 fpm
Minimum Life Expectancy, Main Bearings, L ₁₀	45,000+ hr.

LIQUID END ENGINEERING DATA

Max. Continuous Working Pressure	1,963 psi
Hydrostatic Test, Discharge	3,000 psi
Available Liquid End Materials, A.S.T.M.	
Nickel Aluminum Bronze	B148-C955
Stainless Steel Block	2205 Duplex S.ST.
Stainless Steel Block	316 S.ST.
Plunger Type "Rokide" (Chromium Oxide-Coated)	316 S.ST.
Stuffing Boxes, Field-Removable and Replaceable:	
Nickel Aluminum Bronze	B148-C955
Stainless Steel	316 S.ST.
Gland, Stuffing Box	Nickel Aluminum Bronze
Packing Types Available:	
Spring-loaded, cup-type	Style 120X
Spring-loaded, Garlock	Style 892IK
Seals, Stuffing Boxes and Valve Covers,	Buna-N
Available Valve Types:	
Standard, acetal resin	Delrin®
Optional, Hardened and Lapped	17-4 PH S.ST.
Valve Spring Material	Inconel®
Valve Seat, Liquid Passage Areas	6.26 sq.in.
Avg. Liquid Velocity @ 450 rpm:	
thru Valve	7.26 fps
thru Suction Manifold	3.82 fps
thru Discharge Manifold	18.09 fps

All drawings and specifications subject to change without notice.

RO-185 Triplex Pump



740 EAST 9TH STREET, ASHLAND, OHIO 44805
WWW.MYERSAPLEX.COM

269 TRILLIUM DRIVE, KITCHENER, ONTARIO, CANADA N2G 4W5
WWW.MYERSAPLEX.COM

Delrin® is a registered trademark of E.L. duPont
Inconel® is a registered trademark of the Special Metals family of companies
Timken® is a registered trademark of The Timken Company
Myers® is a registered trademark of Pentair Ltd.

Because we are continuously improving our products and services, Pentair reserves the right to change specifications without prior notice.
MA2009 03/09/13 © 2013 Pentair Ltd. All Rights Reserved.