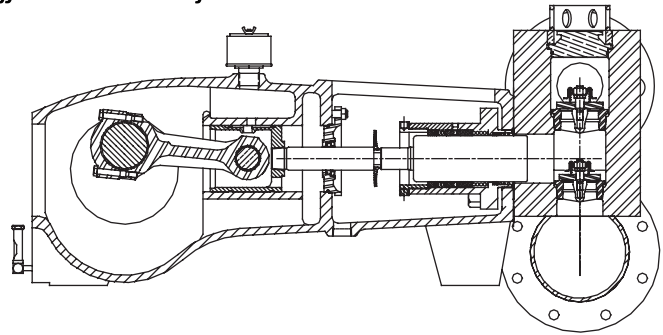


MYERS® APLEX SERIES

RO-358L

QUINTUPLEX PLUNGER PUMP



REVERSE OSMOSIS SERVICE ONLY

No. of plungers.....	5
Maximum rated speed.....	450 rpm
Stroke length.....	4.25 in. 107.95 mm
Maximum rated power.....	260 HP 193.7 KW
Maximum rod load	9,688 lb. 43.01 kN
Weight	3240 lbs.

ENGLISH UNITS

RO-358L

PLUNGER SIZE IN.	STUFFING BOX BORE IN.	MAX PSI.	* GALLON PER/REV.	250 RPM US GPM	300 RPM US GPM	350 RPM US GPM	400 RPM US GPM	450 RPM US GPM
4.500	5.250	609	1.463	365.8	438.9	512.1	585.2	658.4
4.375	5.250	644	1.383	345.7	414.9	484.0	553.2	622.3
4.250	5.250	683	1.305	326.3	391.5	456.8	522.0	587.3
4.125	5.250	725	1.229	307.3	368.8	430.3	491.8	553.2
4.000	5.000	771	1.156	289.0	346.8	404.6	462.4	520.2
3.875	5.000	821	1.085	271.2	325.5	379.7	434.0	488.2
3.750	5.000	877	1.016	254.0	304.8	355.6	406.4	457.2
3.625	4.500	939	0.949	237.4	284.8	332.3	379.8	427.2

*HP REQUIRED @ RPM***

144.5	173.3	202.2	231.1	260.0
-------	-------	-------	-------	-------

METRIC UNITS

RO-358L

PLUNGER SIZE MM.	STUFFING BOX BORE MM.	MAX PRESS. BAR	* LITER PER/REV.	250 RPM LPM	300 RPM LPM	350 RPM LPM	400 RPM LPM	450 RPM LPM
114.3	133.3	42.0	5.538	1384.6	1661.5	1938.4	2215.4	2492.3
111.1	133.3	44.4	5.235	1308.7	1570.4	1832.2	2093.9	2355.7
107.9	133.3	47.1	4.940	1235.0	1482.0	1729.0	1976.0	2223.0
104.8	133.3	50.0	4.654	1163.5	1396.1	1628.8	1861.5	2094.2
101.6	127.0	53.2	4.376	1094.0	1312.8	1531.6	1750.4	1969.2
98.4	127.0	56.6	4.107	1026.7	1232.0	1437.4	1642.7	1848.1
95.3	127.0	60.5	3.846	961.5	1153.8	1346.1	1538.4	1730.7
92.1	114.3	64.7	3.351	837.6	1005.2	1172.7	1340.2	1507.7

*KW REQUIRED @ RPM***

107.8	129.2	150.9	172.3	193.9
-------	-------	-------	-------	-------

*Displacement based on 100% Volumetric Efficiency

**Power based on 90% Mechanical Efficiency

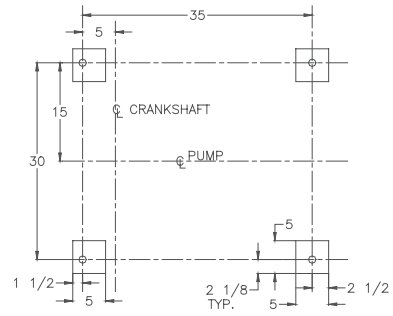
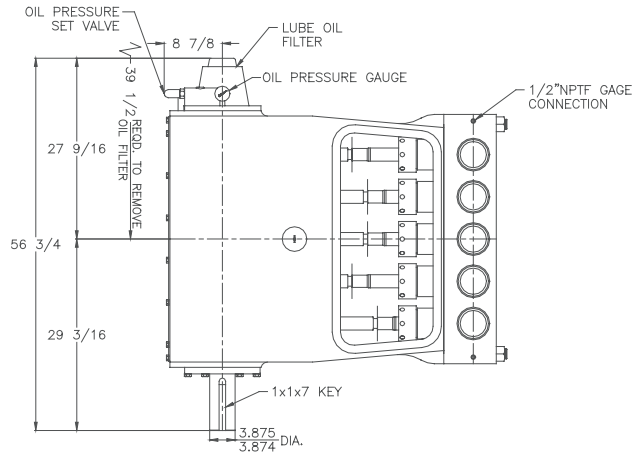
$$IHP = \frac{USGPM \times (\text{Discharge psig} - 1/2 \text{ Suction psig})}{1542}$$

$$IKW = \frac{M^3/HR \times (\text{Discharge Bar} - 1/2 \text{ Suction Bar})}{17.99}$$

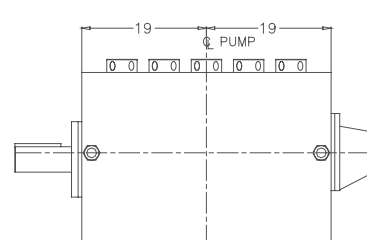
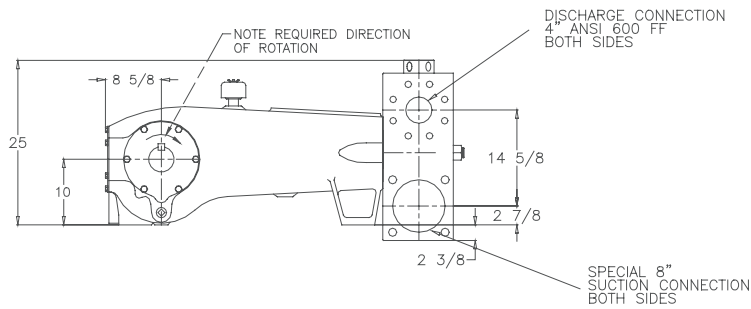
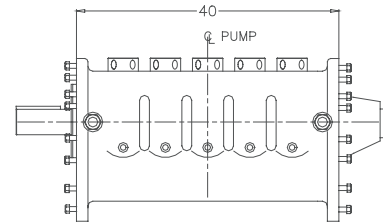
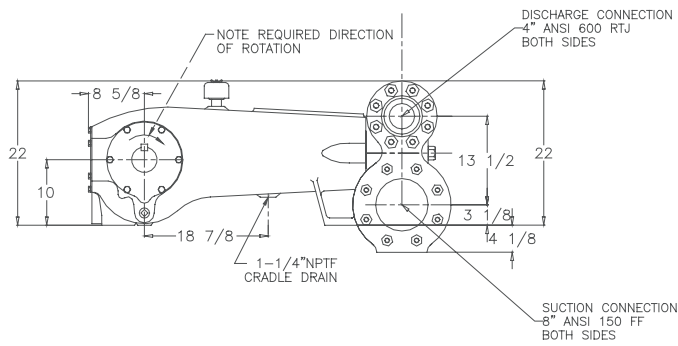
$$PUMP \text{ RPM} = \frac{USGPM \text{ Desired}}{USGPM \text{ per Revolution of Selected Plunger}}$$

$$PUMP \text{ RPM} = \frac{M^3/HR \text{ Desired}}{M^3 \text{ per Revolution of Selected Plunger}}$$

RO-358L Quintuplex Pump



FOUNDATION PLAN



ENGINEERING DATA

RO-358L Quintuplex Pump

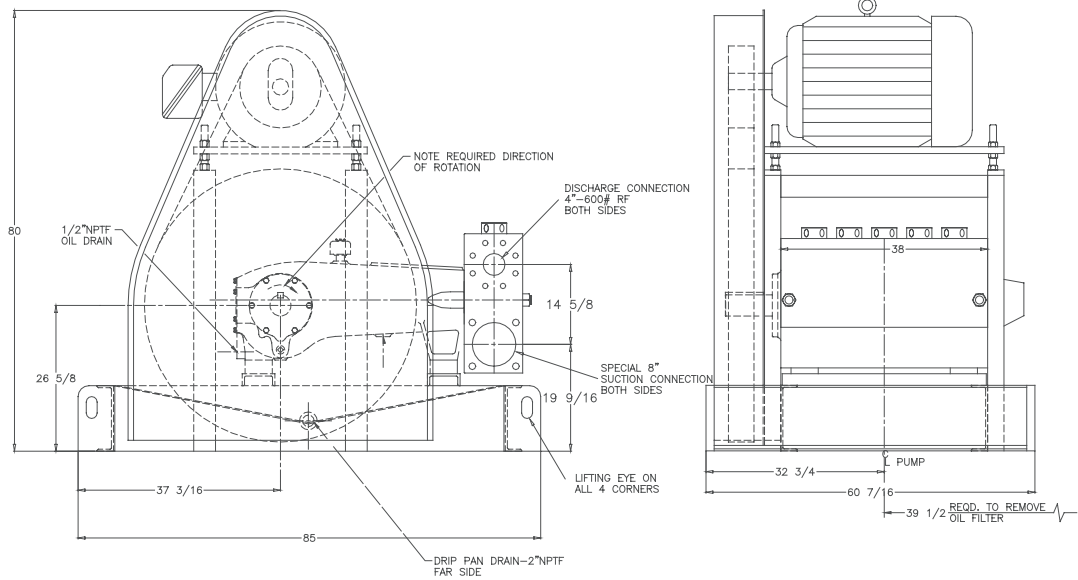
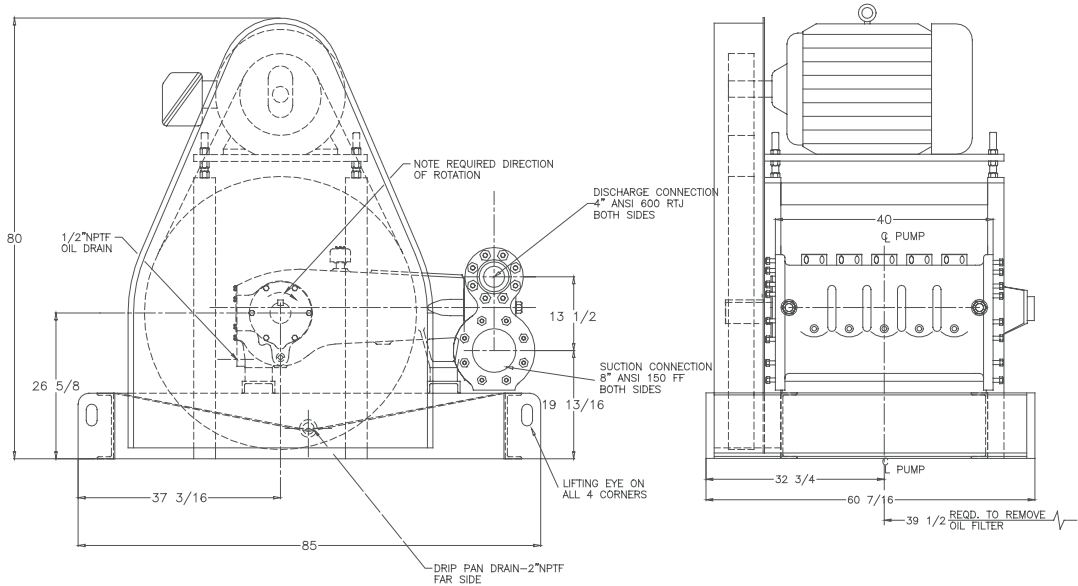
POWER END ENGINEERING DATA

Max. Input Power @ Speed	260 HP @ 450 rpm
Rated Continuous Plunger Load	9,688 lb.
Normal Continuous Speed Range	300 to 420 rpm
Minimum Speed	100 rpm
Oil Capacity	64 U.S. Qrts
Power End Oiling System	Pressure Lubrication System
Power Frame, One-Piece	Cast Iron
Crosshead, Full Cylindrical	Cast Iron
Crosshead, Dia. x Length	5 3/4 x 6 3/16 in.
Crankshaft	Ductile Iron
Crankshaft Diameters:	
At Tapered Roller Bearings	4 in.
At Center Bearings	9 3/8 in.
At Crankpin Bearings, Dia. x Length	4 x 3 in.
Crosshead (Wrist) Pin, Case-Hardened and Ground	AISI 8620
Crosshead pin S.A.E.660 Dia. x Length	2 x 3 in.
Main Bearings, Tapered Roller	Timken®
Center Bearings	Steel Backed, Babbitt-Lined
Crankpin Bearings, Precision Automotive	Steel Backed, Babbitt-Lined
Extension (Pony) Rod Diameter	2 in.
Connecting Rod, Automotive Type	Ductile Iron
Average Crosshead Speed @ 450 rpm	300 fpm
Minimum Life Expectancy, Main Bearings, L ₁₀	100,000+ hr.

LIQUID END ENGINEERING DATA

Hydrostatic Test, Discharge	1,400 psi
Hydrostatic Test, Suction,	425 psi
Available Liquid End Materials, A.S.T.M.	
Nickel Aluminum Bronze	B148-C955
Stainless Steel Block	2205 Duplex S.ST.
Stainless Steel Block	316 S.ST.
Plunger Type "Rokide" (Chromium Oxide-Coated)	316 S.ST.
Stuffing Boxes, Field-Removable and Replaceable:	
Nickel Aluminum Bronze	B148-C955
Stainless Steel	316 S.ST.
Gland, Stuffing Box	Nickel Aluminum Bronze
Packing Types Available:	
Spring-loaded, cup-type	Style 120X
Spring-loaded, Garlock	Style 892IK
Seals, Stuffing Boxes and Valve Covers,	Buna-N
Valve Type, Regularly Furnished	Delrin® Disc
Optional	17-4 PH S.ST.
Valve Seat, Tapered Deck, Hardened	17-4PH S.ST.
Valve Spring Material	Inconel®
Valve Seat, Liquid Passage Areas	6.54 sq.in.
Avg. Liquid Velocity @ 450 rpm:	
thru Valve	12.9 fps
thru Suction Manifold	4.2 fps
thru Discharge Manifold	18.4 fps

RO-358L Quintuplex Pump



740 EAST 9TH STREET, ASHLAND, OHIO 44805
 WWW.MYERSAPLEX.COM

269 TRILLIUM DRIVE, KITCHENER, ONTARIO, CANADA N2G 4W5
 WWW.MYERSAPLEX.COM

Delrin® is a registered trademark of E.L. duPont
 Inconel® is a registered trademark of the Special Metals family of companies
 Timken® is a registered trademark of The Timken Company
 Myers® is a registered trademark of Pentair Ltd.

Because we are continuously improving our products and services, Pentair reserves the right to change specifications without prior notice.
 MA2012 03/09/13 © 2013 Pentair Ltd. All Rights Reserved.