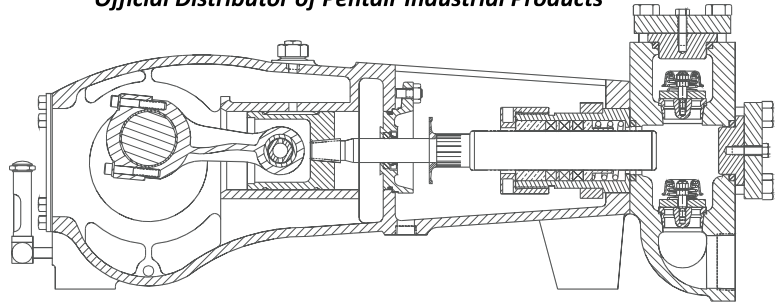


MYERS® APLEX SERIES

RO-64

TRIPLEX PLUNGER PUMP



REVERSE OSMOSIS DUTY ONLY

No. of plungers.....	3
Maximum rated speed.....	550 rpm
Stroke length.....	2.5 in. 63.5 mm
Maximum rated power.....	50.0 HP 37.3 KW
Maximum rod load	4318 lb. 19.17 kN
Weight.....	750 lbs.

ENGLISH UNITS

RO-64

PLUNGER SIZE IN.	STUFFING BOX BORE IN.	MAX PSI	*GALLON PER/REV.	200 RPM US GPM	250 RPM US GPM	350 RPM US GPM	450 RPM US GPM	550 RPM US GPM
2.250	2.875	1086	0.1291	25.8	32.3	45.2	58.1	71.0
2.125	2.875	1218	0.1151	23.0	28.8	40.3	51.8	63.3
2.000	2.875	1374	0.1020	20.4	25.5	35.7	45.9	56.1
1.875	2.875	1564	0.0896	17.9	22.4	31.4	40.3	49.3
1.750	2.875	1793	0.0781	15.6	19.5	27.3	35.1	43.0
1.625	2.500	2084	0.0673	13.5	16.8	23.6	30.3	37.0
1.500	2.500	2440	0.0574	11.5	14.3	20.1	25.8	31.6

HP REQUIRED @ RPM**

18.2 22.7 31.8 40.9 50.0

METRIC UNITS

RO-64

PLUNGER SIZE MM.	STUFFING BOX BORE MM.	MAX PRESS .BAR	*LITER PER/REV.	200 RPM LPM	250 RPM LPM	350 RPM LPM	450 RPM LPM	550 RPM LPM
57.2	73.0	74.8	0.4887	97.7	122.2	171.0	219.9	268.8
53.9	73.0	83.9	0.4357	87.1	108.9	152.5	196.1	239.6
50.8	73.0	94.7	0.3861	77.2	96.5	135.1	173.7	212.4
47.6	73.0	107.8	0.3392	67.8	84.8	118.7	152.6	186.6
44.5	73.0	123.6	0.2956	59.1	73.9	103.5	133.0	162.6
41.9	63.5	143.6	0.2548	51.0	63.7	89.2	114.7	140.1
38.1	63.5	168.2	0.2173	43.5	54.3	76.1	97.8	119.5

KW REQUIRED @ RPM**

13.6 16.9 23.7 30.5 37.2

*Displacement based on 100% Volumetric Efficiency

**Power based on 90% Mechanical Efficiency

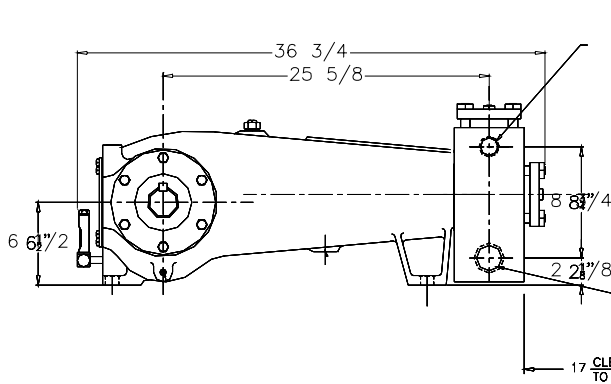
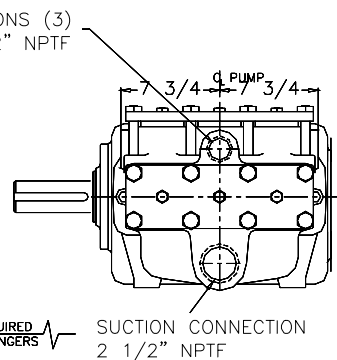
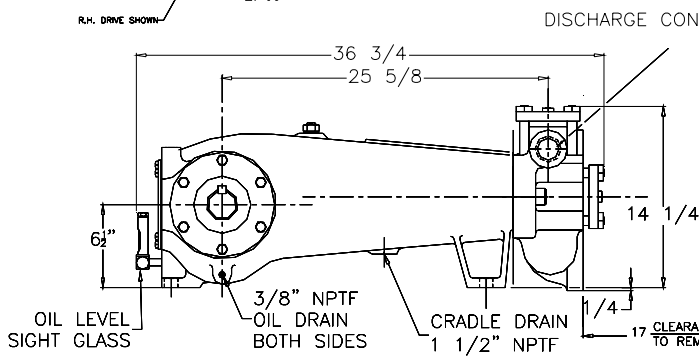
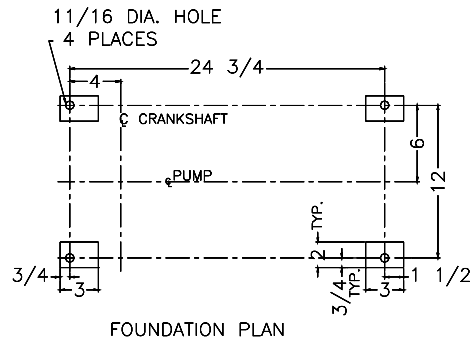
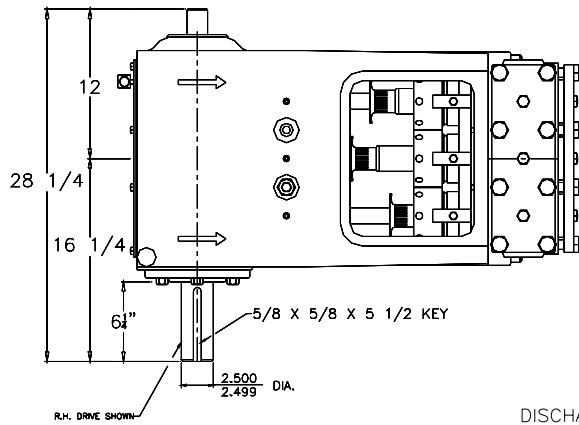
$$IHP = \frac{USGPM \times (\text{Discharge psig} - 1/2 \text{ Suction psig})}{1542}$$

$$IKW = \frac{M^3/HR \times (\text{Discharge Bar} - 1/2 \text{ Suction Bar})}{17.99}$$

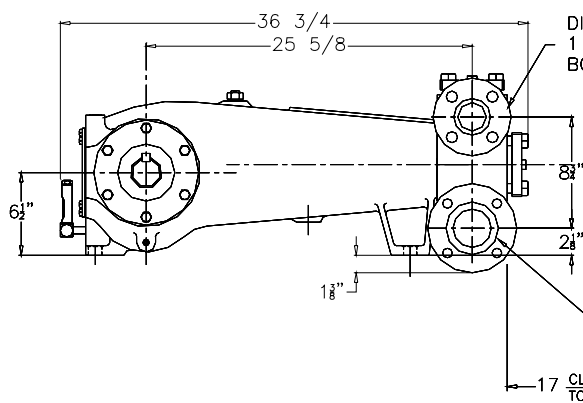
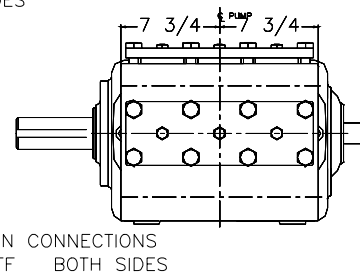
$$PUMP \text{ RPM} = \frac{USGPM \text{ Desired}}{USGPM \text{ per Revolution of Selected Plunger}}$$

$$PUMP \text{ RPM} = \frac{M^3/HR \text{ Desired}}{M^3 \text{ per Revolution of Selected Plunger}}$$

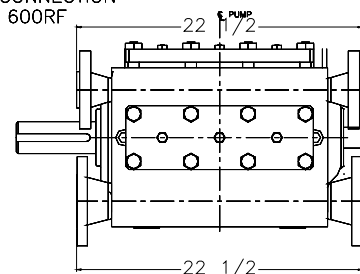
RO-64 Triplex Pump



DISCHARGE CONNECTIONS
1 1/2" NPTF
BOTH SIDES



DISCHARGE CONNECTION
1 1/2" ANSI 600RF
BOTH SIDES



ENGINEERING DATA

RO-64 Triplex Pump

POWER END ENGINEERING DATA

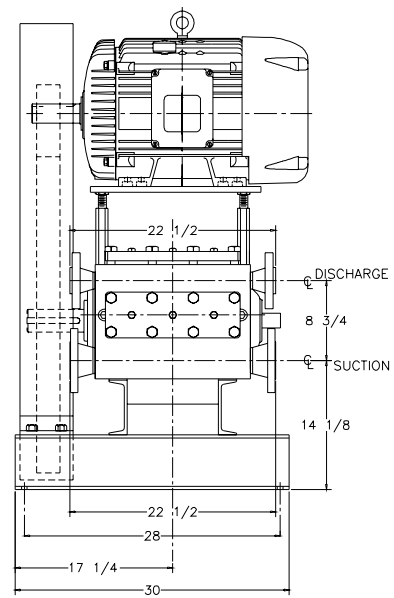
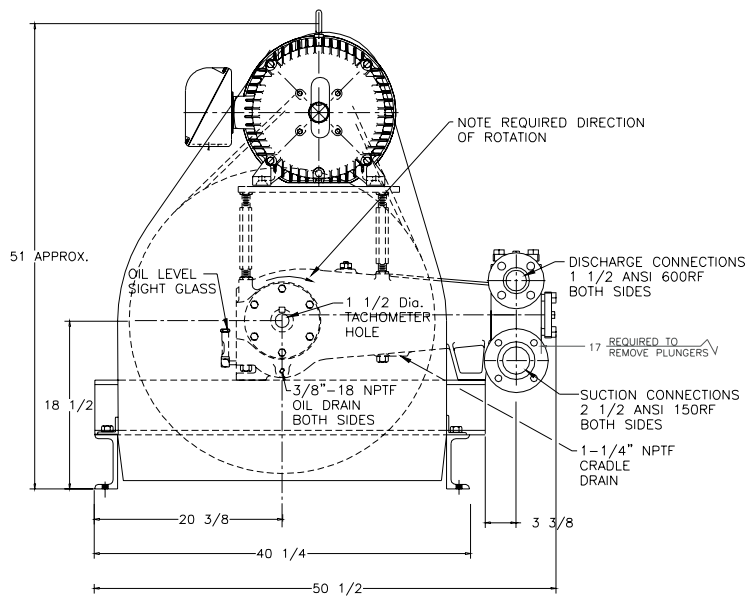
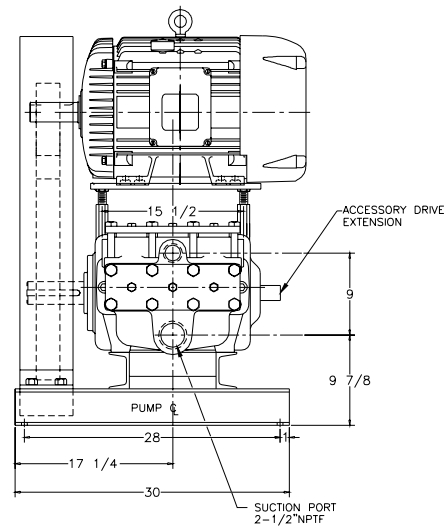
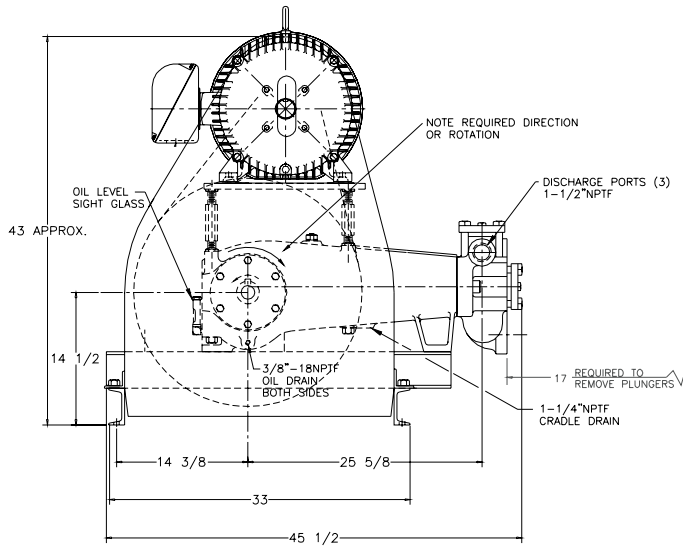
Max. Input Power @ Speed	50 HP@ 550 rpm
Rated Continuous Plunger Load	4,318 lb.
Max. Rated Continuous Speed.....	550 rpm
Normal Continuous Speed Range	350 to 500 rpm
Minimum Speed	100 rpm
Oil Capacity	8 U.S. Qrts
Power End Oiling System	Splash & Scoop
Power Frame, One-Piece	Cast Iron
Crosshead, Full Cylindrical	Cast Iron
Crosshead, Dia. x Length.....	4 x 4 1/2 in.
Crankshaft	Ductile Iron
Crankshaft Diameters:	
At Tapered Roller Bearings	3.35 in.
At Crankpin Bearings, Dia. x Length	2 3/4 x 2 in.
Crosshead (Wrist) Pin, Case-Hardened and Ground	AISI 8620
Wrist Pin Bushing, SAE 660, dia. x width	1 5/16 x 2 in.
Main Bearings, Tapered Roller	Timken®
Crankpin Bearings, Precision Automotive.....	Steel Backed, Babbitt-Lined
Extension (Pony) Rod, Integral w/ Plungers	316 S.ST.
Connecting Rod, Automotive Type	Ductile Iron
Average Crosshead Speed @ 550 rpm	229 fpm
Minimum Life Expectancy, Main Bearings, L ₁₀	100,000+ hr.

LIQUID END ENGINEERING DATA

Max. Continuous Working Pressure	2,440 psi
Hydrostatic Test	3,750 psi
Available Liquid End Materials, A.S.T.M.	
Nickel Aluminum Bronze	B148-C955
Stainless Steel Block	2205 Duplex S.ST.
Stainless Steel Block	316 S.ST.
Plunger Type "Rokide" (Chromium Oxide-Coated)	316 S.ST.
Stuffing Boxes, Field-Removable and Replaceable	Stainless Steel
Gland, Stuffing Box	Nickel Aluminum Bronze
Packing Types Available:	
Spring-loaded, cup-type	Style 120X
Spring-loaded, Garlock	Style 892IK
Valve Cover and Cyl. Head Plugs	316 S.ST.
Retainer Plates, Ductile Iron, A.S.T.M.	A536 80-55-06
Seals, Stuffing Boxes, Valve Covers, Cyl. Heads	Buna-N
Valve Types:	
Standard, Acetal Resin	Delrin®
Optional, Hardened and Lapped	17-4 PH S.ST.
Valve Spring Material	Inconel®
Valve Seat, Liquid Passage Areas	2.3 sq.in.
Avg. Liquid Velocity with 2 1/4" plungers @ 550 rpm:	
thru Valves	6.6 fpm
thru Suction Manifold	4.7 fpm
thru Discharge Manifold	12.8 fpm

All drawings and specifications subject to change without notice.

RO-64 Triplex Pump



740 EAST 9TH STREET,
ASHLAND, OHIO 44805
WWW.MYERSAPLEX.COM

269 TRILLIUM DRIVE, KITCHENER,
ONTARIO, CANADA N2G 4W5
WWW.MYERSAPLEX.COM

Delrin® is a registered trademark of E.L. duPont
Inconel® is a registered trademark of the Special Metals family of companies
Timken® is a registered trademark of The Timken Company
Myers® is a registered trademark of Pentair Ltd.

Because we are continuously improving our products and services, Pentair reserves the right to change specifications without prior notice.
MA2003 03/08/13 © 2013 Pentair Ltd. All Rights Reserved.

www.powerzone.com