

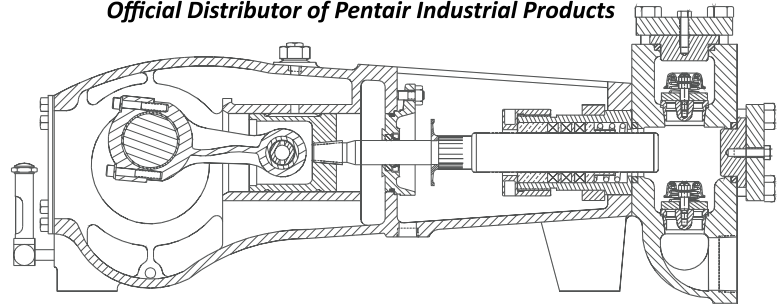


Official Distributor of Pentair Industrial Products

MYERS® APLEX SERIES

RO-72

QUINTUPLEX PLUNGER PUMP



REVERSE OSMOSIS DUTY ONLY

No. of plungers.....	5
Maximum rated speed.....	600 rpm
Stroke length.....	2.25 in. 57.15 mm
Maximum rated power.....	55.0 HP 40.9 KW
Maximum rod load	2902 lb. 12.88 kN
Weight	710 lbs.

ENGLISH UNITS

RO-72

PLUNGER SIZE IN.	STUFFING BOX BORE IN.	MAX PSI	*GALLON PER/REV.	200 RPM US GPM	300 RPM US GPM	400 RPM US GPM	500 RPM US GPM	600 RPM US GPM
1.875	2.500	1051	0.1345	26.9	40.3	53.8	67.2	80.7
1.750	2.500	1207	0.1171	23.4	35.1	46.9	58.6	70.3
1.625	2.500	1399	0.1010	20.2	30.3	40.4	50.5	60.6
1.500	2.500	1642	0.0861	17.2	25.8	34.4	43.0	51.6
1.375	2.250	1954	0.0723	14.5	21.7	28.9	36.2	43.4
1.250	2.250	2365	0.0598	12.0	17.9	23.9	29.9	35.9
<i>HP REQUIRED @ RPM**</i>				18.3	27.5	36.7	45.8	55.0

METRIC UNITS

RO-72

PLUNGER SIZE MM.	STUFFING BOX BORE MM.	MAX PRESS. BAR	*LITER PER/REV.	200 RPM LPM	300 RPM LPM	400 RPM LPM	500 RPM LPM	600 RPM LPM
47.6	63.5	72.5	0.0591	11.8	17.7	23.6	29.6	35.5
44.5	63.5	83.2	0.4433	88.7	133.0	177.3	221.7	266.0
41.9	63.5	96.5	0.3823	76.5	114.7	152.9	191.2	229.4
38.1	63.5	113.2	0.3259	65.2	97.8	130.4	163.0	195.5
34.9	57.2	134.7	0.2737	54.7	82.1	109.5	136.9	164.2
31.7	57.2	163.0	0.2264	45.3	67.9	90.6	113.2	135.8
<i>KW REQUIRED @ RPM**</i>				13.6	20.5	27.4	34.2	41.0

*Displacement based on 100% Volumetric Efficiency

**Power based on 90% Mechanical Efficiency

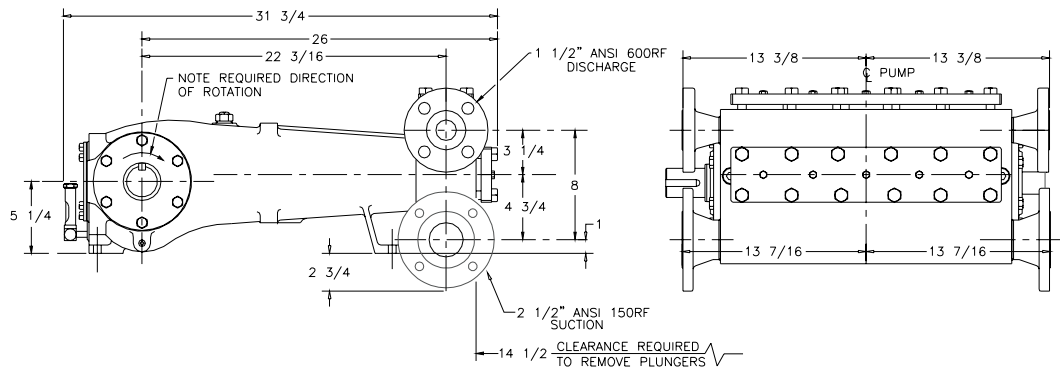
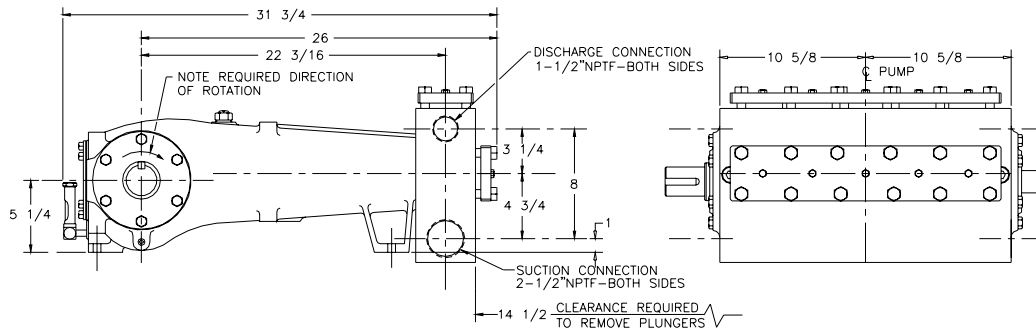
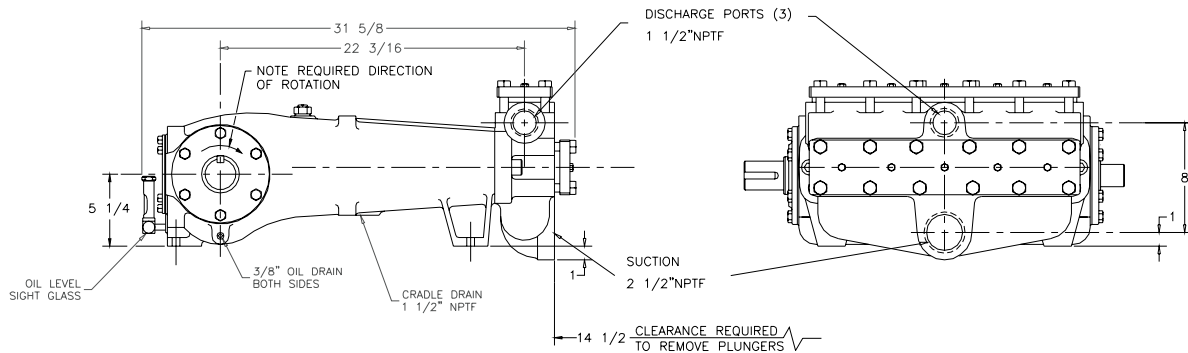
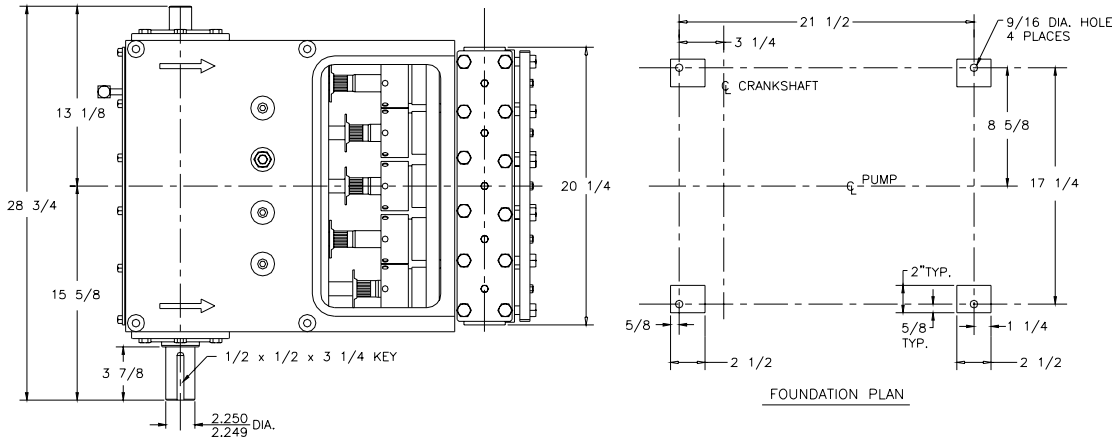
$$IHP = \frac{USGPM \times (\text{Discharge psig} - 1/2 \text{ Suction psig})}{1542}$$

$$IKW = \frac{M^3/HR \times (\text{Discharge Bar} - 1/2 \text{ Suction Bar})}{17.99}$$

$$PUMP \text{ RPM} = \frac{USGPM \text{ Desired}}{USGPM \text{ per Revolution of Selected Plunger}}$$

$$PUMP \text{ RPM} = \frac{M^3/HR \text{ Desired}}{M^3 \text{ per Revolution of Selected Plunger}}$$

RO-72 Quintuplex Pump



ENGINEERING DATA

RO-72 Quintuplex Pump

POWER END ENGINEERING DATA

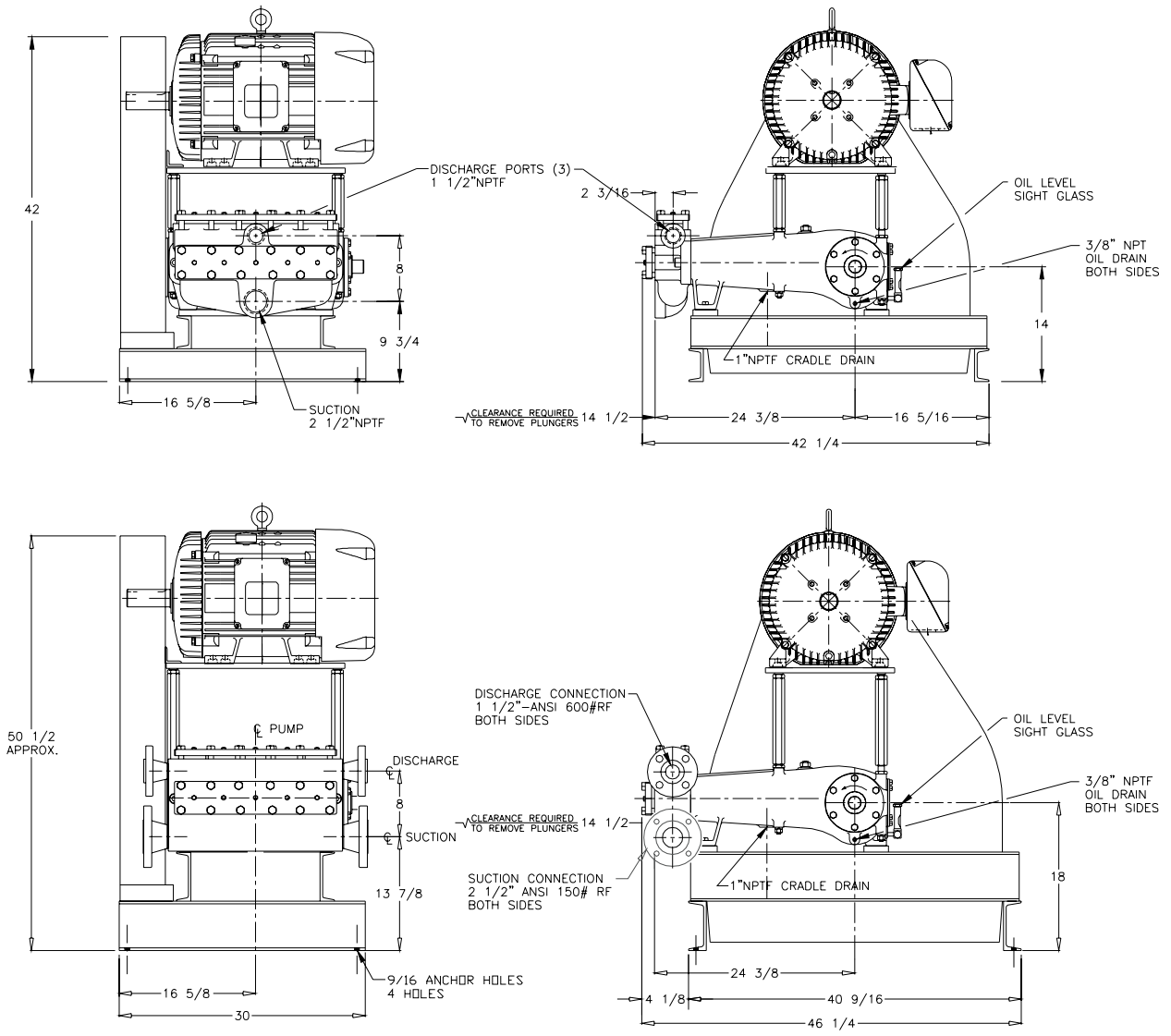
Max. Input Power @ Speed	55 HP @ 600 rpm
Rated Continuous Plunger Load	2,902 lb.
Max. Rated Continuous Speed	600 rpm
Normal Continuous Speed Range	350 to 575 rpm
Minimum Speed	100 rpm
Oil Capacity	8 U.S. Qrts
Power End Oiling System	Splash & Scoop
Power Frame, One-Piece	Cast Iron
Crosshead, Full Cylindrical	Cast Iron
Crosshead, Dia. x Length	3 1/4 x 3 5/8 in.
Crankshaft	Ductile Iron
Crankshaft Diameters:	
At Tapered Roller Bearings	3.15 in.
At Center Bearings	4.91 in.
At Crankpin Bearings, Dia. x Length	2 1/4 x 1 5/8 in.
Crosshead (Wrist) Pin, Case-Hardened and Ground	AISI 8620
Main Bearings, Tapered Roller	Timken®
Center Bearings, Two, Precision	Steel Backed, Babbitt-Lined
Crankpin Bearings, Precision Automotive.....	Steel Backed, Babbitt-Lined
Extension (Pony) Rod, Integral w/ Plungers	316 S.ST.
Connecting Rod, Automotive Type	Ductile Iron
Average Crosshead Speed @ 600 rpm	200 fpm
Minimum Life Expectancy, Main Bearings, L ₁₀	75,000+ hr.

LIQUID END ENGINEERING DATA

Max. Continuous Working Pressure	2,369 psi
Hydrostatic Test	4,000 psi
Available Liquid End Materials, A.S.T.M.	
Nickel Aluminum Bronze	B148-C955
Stainless Steel Block.....	2205 Duplex S.ST.
Stainless Steel Block	316 S.ST.
Plunger Type "Rokide" (Chromium Oxide-Coated)	316 S.ST.
Stuffing Boxes, Field-Removable and Replaceable	Stainless Steel
Gland, Stuffing Box	Nickel Aluminum Bronze
Packing Types Available:	
Spring-loaded, cup-type	Style 120X
Spring-loaded, Garlock	Style 892IK
Valve Cover and Cyl. Head Plugs	316 S.ST.
Retainer Plates, Ductile Iron, A.S.T.M.	A536 80-55-06
Seals, Stuffing Boxes, Valve Covers, Cyl. Heads	Buna-N
Valve Types:	
Standard, Acetal Resin	Delrin®
Optional, Hardened and Lapped	17-4 PH S.ST.
Valve Spring material	Inconel®
Valve Seat, Liquid Passage Areas	1.4 sq.in.
Avg. Liquid Velocity @ 600 rpm with 1 7/8" plungers:	
thru Valves	7.4 fps
thru Suction Manifold	5.4 fps
thru Discharge Manifold	14.6 fps

All drawings and specifications subject to change without notice.

RO-72 Quintuplex Pump



740 EAST 9TH STREET, ASHLAND, OHIO 44805
 WWW.MYERSAPLEX.COM

269 TRILLIUM DRIVE, KITCHENER, ONTARIO, CANADA N2G 4W5
 WWW.MYERSAPLEX.COM

Delrin® is a registered trademark of E.L. duPont
 Inconel® is a registered trademark of the Special Metals family of companies
 Timken® is a registered trademark of The Timken Company
 Myers® is a registered trademark of Pentair Ltd.

Because we are continuously improving our products and services, Pentair reserves the right to change specifications without prior notice.
 MA2004 03/08/13 © 2013 Pentair Ltd. All Rights Reserved.

www.powerzone.com