

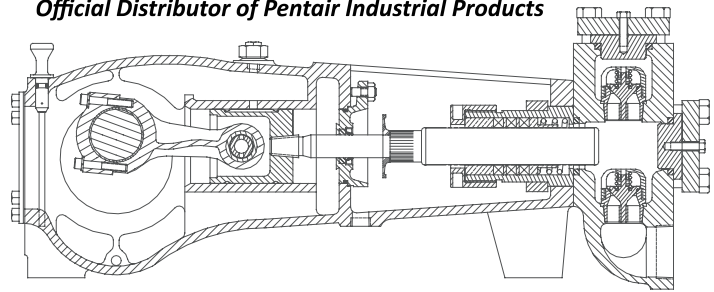


Official Distributor of Pentair Industrial Products

MYERS® APLEX SERIES

SC-115

QUINTUPLEX PLUNGER PUMP



Intermittent Duty Only

No. of plungers.....	5
Maximum rated speed.....	550 rpm
Stroke length.....	2.75 in. 69.85 mm
Maximum rated power.....	154 HP 114.7 KW
Maximum rod load	7216 lb. 32.04 kN
Weight	1240 lbs.

ENGLISH UNITS

SC-115

PLUNGER SIZE IN.	STUFFING BOX BORE IN.	MAX PSI.	* GALLON PER/REV.	350 RPM US GPM	400 RPM US GPM	450 RPM US GPM	500 RPM US GPM	550 RPM US GPM
2.250	2.875	1815	0.237	82.8	94.7	106.5	118.3	130.2
2.125	2.875	2035	0.211	73.9	84.4	95.0	105.6	116.1
2.000	2.875	2297	0.187	65.5	74.8	84.2	93.5	102.8
1.875	2.875	2613	0.164	57.5	65.7	74.0	82.2	90.4
1.750	2.875	3000	0.143	50.1	57.3	64.4	71.6	78.7
1.625	2.500	3500	0.124	43.2	49.4	55.6	61.8	67.9

HP REQUIRED @ RPM** 97.5 111.4 125.4 139.3 154.0

METRIC UNITS

SC-115

PLUNGER SIZE MM.	STUFFING BOX BORE MM.	MAX PRESS .BAR	* LITER PER/REV.	350 RPM LPM	400 RPM LPM	450 RPM LPM	500 RPM LPM	550 RPM LPM
57.2	73.0	125.1	0.896	313.6	358.4	403.2	448.0	492.8
54.0	73.0	140.3	0.799	279.7	319.6	359.6	399.6	439.5
50.8	73.0	158.4	0.708	247.8	283.2	318.6	353.9	389.3
47.6	73.0	180.2	0.622	217.8	248.9	280.0	311.1	342.3
44.5	73.0	206.8	0.542	189.7	216.8	243.9	271.1	298.2
41.2	63.5	241.4	0.468	163.6	187.0	210.4	233.8	257.1

KW REQUIRED @ RPM** 72.7 83.1 93.5 103.9 114.8

*Displacement based on 100% Volumetric Efficiency

**Power based on 90% Mechanical Efficiency

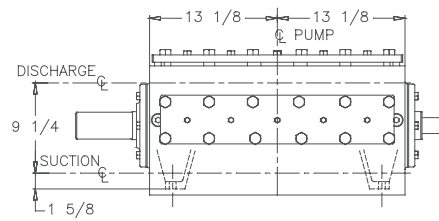
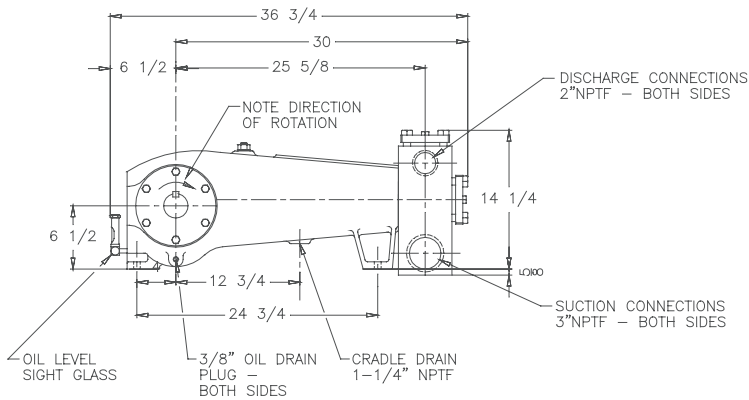
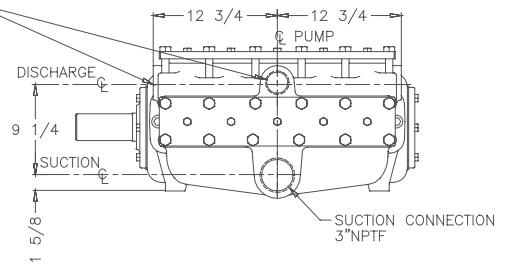
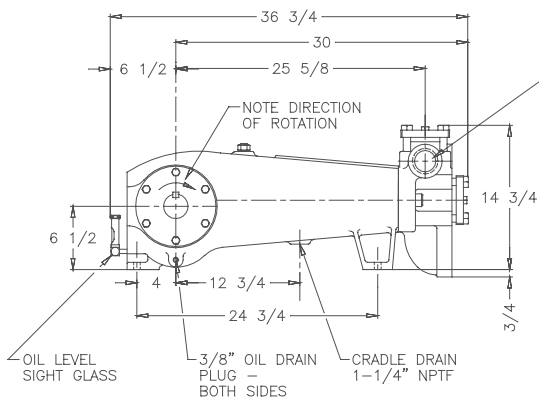
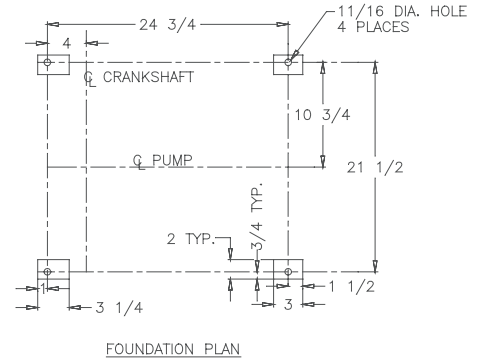
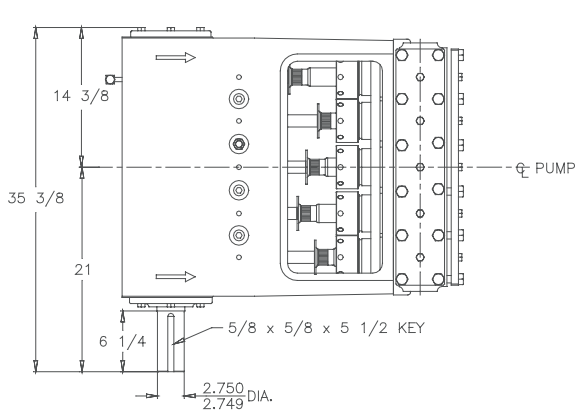
$$IHP = \frac{USGPM \times (\text{Discharge psig} - 1/2 \text{ Suction psig})}{1542}$$

$$IKW = \frac{M^3/HR \times (\text{Discharge Bar} - 1/2 \text{ Suction Bar})}{17.99}$$

$$PUMP \text{ RPM} = \frac{USGPM \text{ Desired}}{USGPM \text{ per Revolution of Selected Plunger}}$$

$$PUMP \text{ RPM} = \frac{M^3/HR \text{ Desired}}{M^3 \text{ per Revolution of Selected Plunger}}$$

SC-115 Quintuplex Pump



ENGINEERING DATA

SC-115 Quintuplex Pump

POWER END ENGINEERING DATA

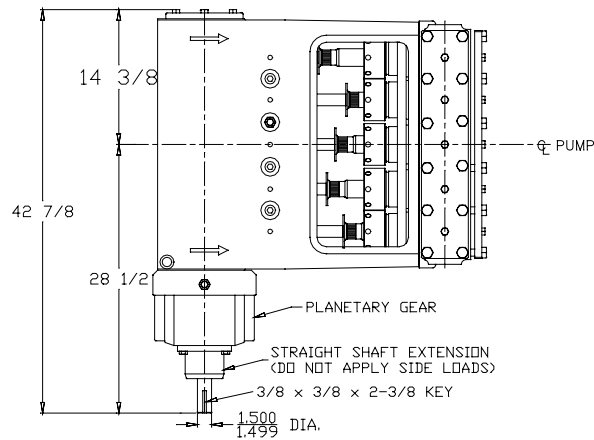
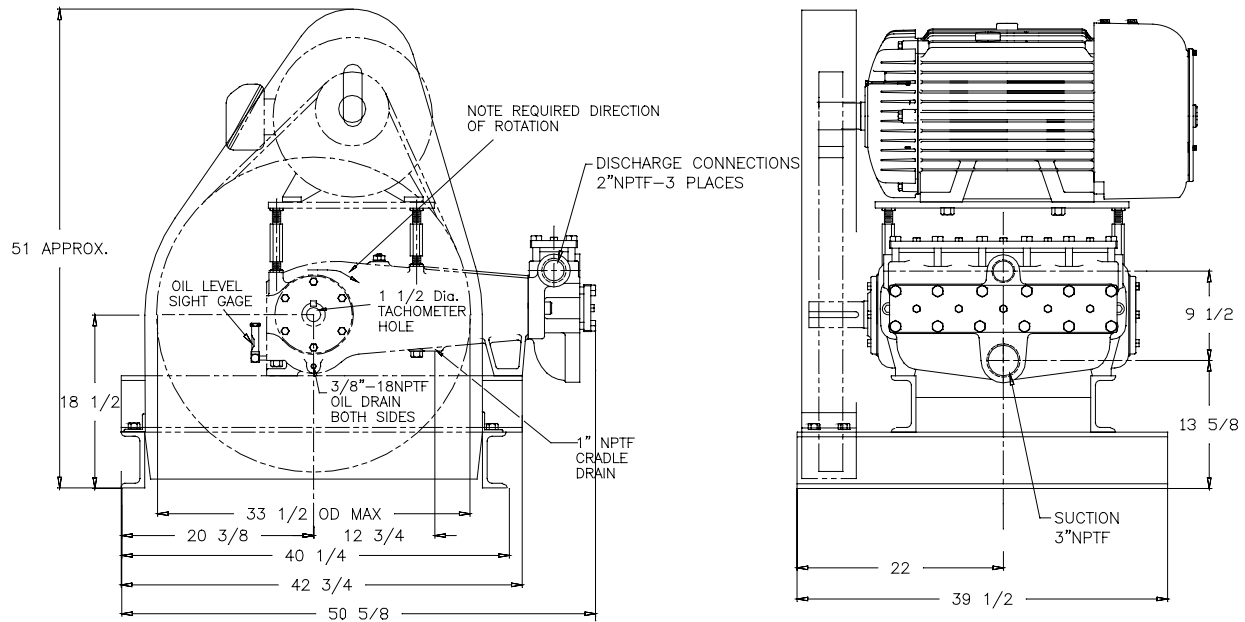
Max. Input Power @ Speed	154 HP @ 550 rpm
Rated Continuous Plunger Load	7,216 lb.
Normal Continuous Speed Range	450 rpm
Minimum Speed	100 rpm
Oil Capacity	12 U.S. Qrts
Power End Oiling System	Splash & Scoop
Power Frame, One-Piece	Cast Iron
Crosshead, Full Cylindrical	Cast Iron
Crosshead, Dia. x Length.....	4 x 4 1/2 in.
Crankshaft	Ductile Iron
Crankshaft Diameters:	
At Tapered Roller Bearings	3.35 in.
At Crankpin Bearings, Dia. x Length.....	2 3/4 x 2 in.
Crosshead (Wrist) Pin, Case-Hardened and Ground	AISI 8620
Main Bearings, Tapered Roller	Timken®
Crankpin Bearings, Precision Automotive	Babbitt-Lined
Extension (Pony) Rod Integral w/ Plungers	316 S.ST.
Connecting Rod, Automotive Type	Ductile Iron
Average Crosshead Speed @ 550 rpm	252 fpm
Minimum Life Expectancy, Main Bearings, L ₁₀	40,000+ hr.

LIQUID END ENGINEERING DATA

Max. Continuous Working Pressure	3,500 psi
Hydrostatic Test	5,250 psi
Liquid End Materials, A.S.T.M.	
Ductile Iron	A536 80-55-06
Carbon Steel.....	A516 Gr.70
Stainless Steel	316 or 2205 S.ST.
Plunger Type “Rokide” Stainless Steel, (Chromium Oxide-Coated)	416 S.ST.
Stuffing boxes, Field-Removable and Replaceable, Carbon Steel	1020
Packing Types Available:	
Gland-loaded, Non-Adjustable	Style 838
Spring-loaded, Braided Teflon & Kevlar	Style 140
Spring-loaded, cup-type	Style 120X
Spring-loaded, Garlock	Style 892IK
Valve Cover and Cyl. Head Plugs	316 S.ST.
Retainer Plates, Steel, A.S.T.M.	A36
Seals, Stuffing Boxes, Valve Covers	Buna-N
Valve Type, Double Stem-Guided	17-4PH S.ST.
Valve Spring Material	Inconel®
Valve Seat, Liquid Passage Area.....	2.3 sq.in.
Avg. Liquid Velocity, with 2 1/4” Plungers @ 550 RPM	
thru Plate Valves.....	7.5 fps
thru Dual Valves.....	11.2 fps
thru Suction Manifold.....	5.6 fps
thru Discharge Manifold.....	14.2 fps

All drawings and specifications subject to change without notice.

SC-115 Quintuplex Pump



740 EAST 9TH STREET,
ASHLAND, OHIO 44805
WWW.MYERSAPLEX.COM

269 TRILLIUM DRIVE, KITCHENER,
ONTARIO, CANADA N2G 4W5
WWW.MYERSAPLEX.COM

Inconel® is a registered trademark of the Special Metals family of companies
Timken® is a registered trademark of The Timken Company
Myers® is a registered trademark of Pentair Ltd.

Because we are continuously improving our products and services, Pentair reserves the right to change specifications without prior notice.
MA3011 03/13/13 © 2013 Pentair Ltd. All Rights Reserved.

www.powerzone.com