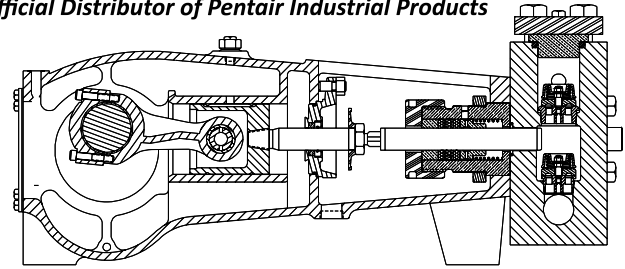


MYERS® APLEX SERIES

SC-115H

QUINTUPLEX PLUNGER PUMP



No. of plungers.....	5	
Maximum rated speed.....	550 rpm	
Stroke length.....	2.75 in.	69.8 mm
Maximum rated power.....	154 HP	114.7KW
Maximum rod load	7216 lb.	32.0 kN
Weight	1325 lbs.	

ENGLISH UNITS

SC-115H

PLUNGER SIZE IN.	STUFFING BOX BORE IN.	MAX PSL	*GALLON PER/REV.	200 RPM US GPM	300 RPM US GPM	400 RPM US GPM	500 RPM US GPM	550 RPM US GPM
1.625	2.500	3479	0.1234	24.7	37.0	49.4	61.7	67.9
1.500	2.500	4083	0.1052	21.0	31.6	42.1	52.6	57.9
1.375	2.250	4858	0.0884	17.7	26.5	35.4	44.2	48.6
1.250	2.250	5878	0.0730	14.6	21.9	29.2	36.5	40.2
<i>HP REQUIRED @ RPM**</i>				55.7	83.6	111.4	139.3	154.0

METRIC UNITS

SC-115H

PLUNGER SIZE MM.	STUFFING BOX BORE MM.	MAX PRESS .BAR	*LITER PER/REV.	200 RPM LPM	300 RPM LPM	400 RPM LPM	500 RPM LPM	550 RPM LPM
41.3	63.5	239.9	0.4671	93.4	140.1	186.8	233.6	256.9
38.1	63.5	281.6	0.3982	79.6	119.5	159.3	199.1	219.0
34.9	57.1	335.0	0.3346	66.9	100.4	133.8	167.3	184.0
31.7	57.1	405.4	0.2763	55.3	82.9	110.5	138.2	152.0
<i>KW REQUIRED @ RPM**</i>				41.5	62.3	83.1	103.9	114.8

*Displacement based on 100% Volumetric Efficiency

**Power based on 90% Mechanical Efficiency

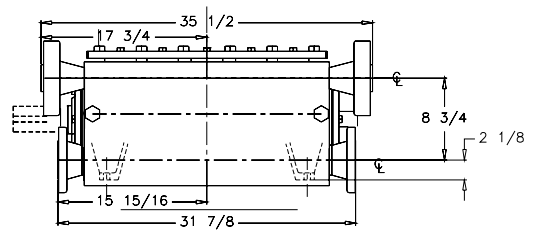
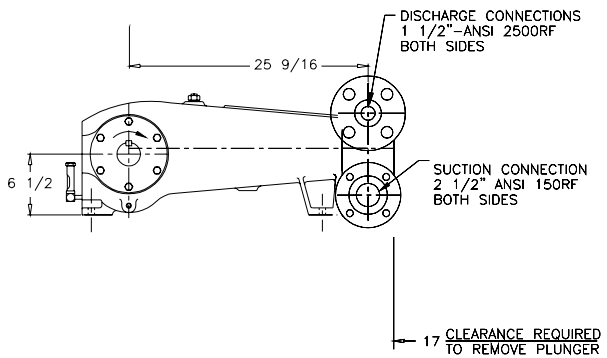
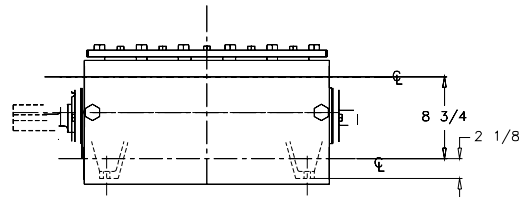
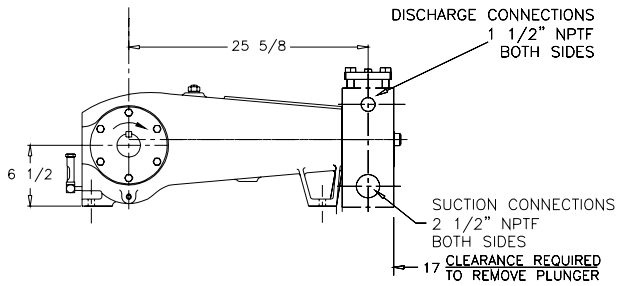
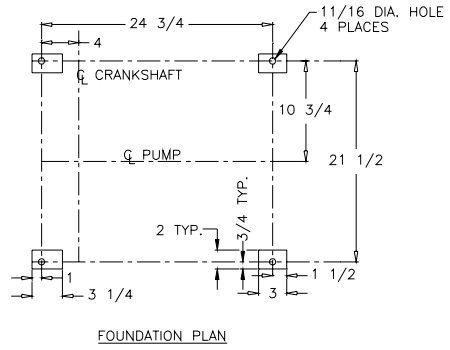
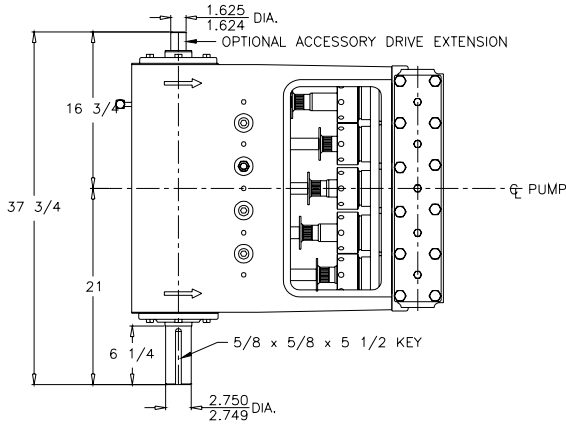
$$\text{IHP} = \frac{\text{USGPM} \times (\text{Discharge psig} - 1/2 \text{ Suction psig})}{1542}$$

$$\text{IKW} = \frac{\text{M}^3/\text{HR} \times (\text{Discharge Bar} - 1/2 \text{ Suction Bar})}{17.99}$$

$$\text{PUMP RPM} = \frac{\text{USGPM Desired}}{\text{USGPM per Revolution of Selected Plunger}}$$

$$\text{PUMP RPM} = \frac{\text{M}^3/\text{HR Desired}}{\text{M}^3 \text{ per Revolution of Selected Plunger}}$$

SC-115H Quintuplex Pump



ENGINEERING DATA

SC-115H Quintuplex Pump

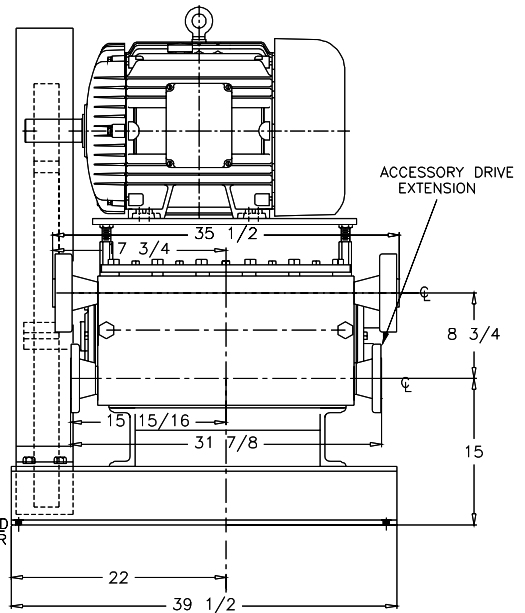
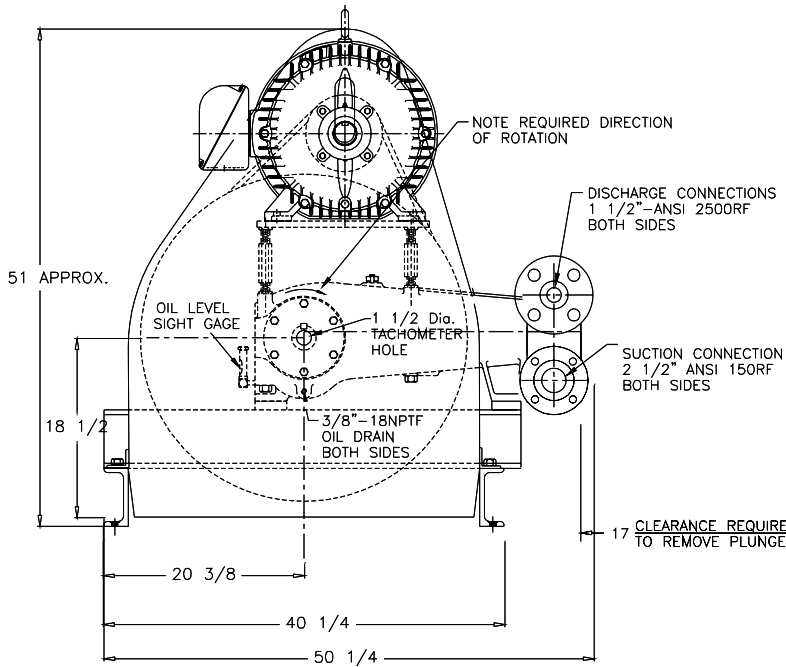
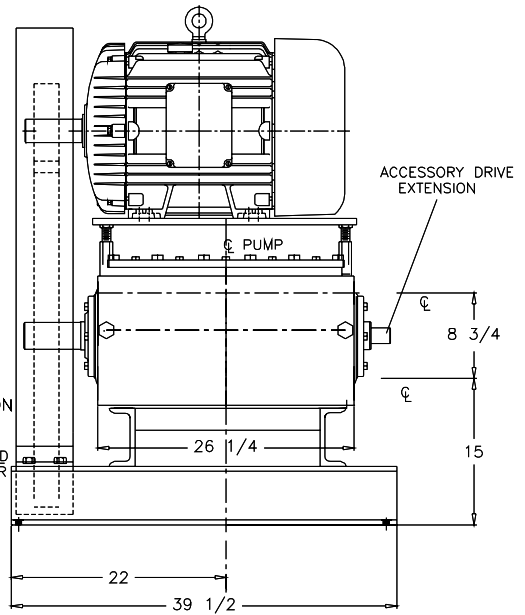
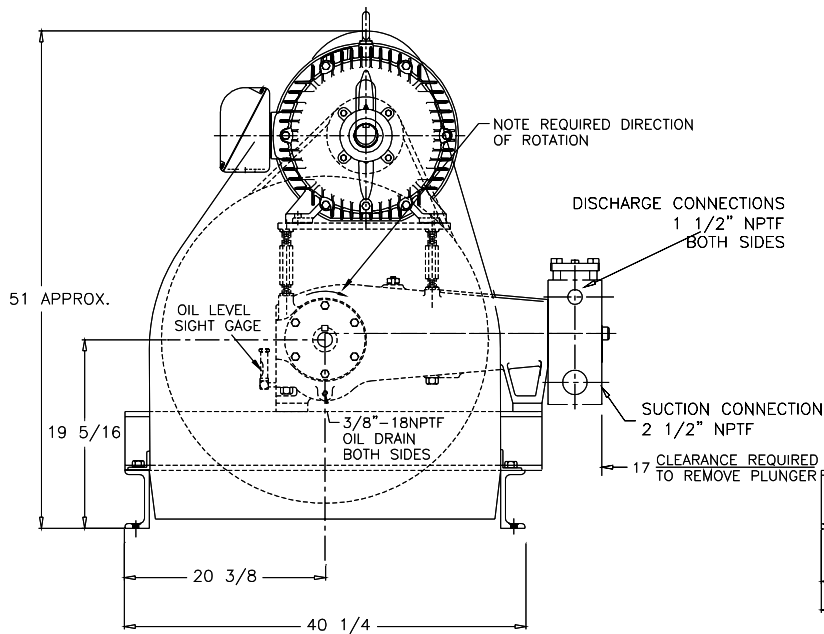
POWER END ENGINEERING DATA

Max. Input Power @ Speed	154 HP @ 550 rpm
Rated Continuous Plunger Load	7,216 lb.
Max. Rated Continuous Speed.....	550 rpm
Normal Continuous Speed Range	150 to 450 rpm
Minimum Speed	100 rpm
Oil Capacity	15 U.S. Qrts
Power End Oiling System	Splash & Scoop
Power Frame, One-Piece	Cast Iron
Crosshead, Full Cylindrical	Cast Iron
Crosshead, Dia. x Length	4 x 4 1/2 in.
Crankshaft	Ductile Iron
Crankshaft Diameters:	
At Tapered Roller Bearings	3.35 in.
At Crankpin Bearings, Dia. x Length	2 3/4 x 2 in.
Crosshead (Wrist) Pin, Case-Hardened and Ground	AISI 8620
Wrist Pin Bushing, SAE 660, dia. x width	1 5/16 x 2 in.
Main Bearings, Tapered Roller	Timken®
Center Bearings, Two Precision Steel Backed	Babbitt Lined
Crankpin Bearings, Precision Automotive.....	Steel Backed, Babbitt-Lined
Extension (Pony) Rod Integral w/ Plungers	316 S.S.
Connecting Rod, Automotive Type	Ductile Iron
Average Crosshead Speed @ 550 rpm	200 fpm
Minimum Life Expectancy, Main Bearings, L ₁₀	60,000+ hrs.

LIQUID END ENGINEERING DATA

Max. Continuous Working Pressure	6,500 psi
Hydrostatic Test	9,750 psi
Available Liquid End Materials, A.S.T.M.	
Forged Steel Block	4140
Stainless Steel Block	15-5PH
Plunger Type "Rokide" (Chromium Oxide-Coated)	316 S.S.
Stuffing Boxes, Field-Removable and Replaceable	
Packing Types Available	
Spring-loaded, Braided Teflon & Kevlar	Style 140
Spring-loaded, cup-type	Style 120X
Retainer Plates, Ductile Iron, A.S.T.M.	A536 80-55-06
Seals, Stuffing Boxes, Valve Covers, Cyl. Heads	Buna-N
Available Valve Types:	
Standard, Hardened and Lapped	17-4PH S.S.
Abrasion Resistant	17-4PH S.S.
Valve Spring Material	Inconel®
Valve Seat, Liquid Passage Area	
Plate (disc) Valves,	1.4 sq.in.
Abrasion Resistant Valve	96 sq.in.
Avg. Liquid Velocity with 1 1/8" plungers @ 550 rpm	
thru Disc Valves	4.1 fps
thru Abrasion Resistant Valves	6.0 fps
thru Suction Manifold	1.75 fps
thru Discharge Manifold	4.0 fps

SC-115H Quintuplex Pump



740 EAST 9TH STREET,
ASHLAND, OHIO 44805
WWW.MYERSAPLEX.COM

269 TRILLIUM DRIVE, KITCHENER,
ONTARIO, CANADA N2G 4W5
WWW.MYERSAPLEX.COM

Inconel® is a registered trademark of the Special Metals family of companies
Timken® is a registered trademark of The Timken Company
Myers® is a registered trademark of Pentair Ltd.

Because we are continuously improving our products and services, Pentair reserves the right to change specifications without prior notice.
MA3018 03/13/13 © 2013 Pentair Ltd. All Rights Reserved.

www.powerzone.com