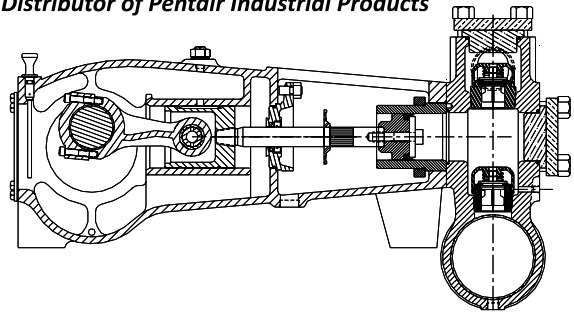




MYERS® APLEX SERIES

SC-115L QUINTUPLEX PLUNGER PUMP



Intermittent Duty Only

No. of cylinders.....	5
Maximum rated speed.....	550 rpm
Stroke length..... 2.75 in.	69.85 mm
Maximum rated power..... 154 HP	114.7 KW
Maximum rod load 7216 lb.	32.04 kN
Weight	1520 lbs.

ENGLISH UNITS

SC-115L

	PLUNGER SIZE IN.	STUFFING BOX BORE IN.	MAX PSI	*GALLON PER/REV.	200 RPM US GPM	250 RPM US GPM	350 RPM US GPM	450 RPM US GPM	550 RPM US GPM
Piston only →	3.000	PISTON	1020	0.4208	84.2	105.2	147.3	189.3	231.4
	2.750	3.500	1215	0.3535	70.7	88.4	123.7	159.1	194.5
	2.625	3.500	1333	0.3221	64.4	80.5	112.7	145.0	177.2
	2.500	3.250	1470	0.2922	58.4	73.0	102.3	131.5	160.7
	2.375	3.250	1629	0.2637	52.7	65.9	92.3	118.7	145.0
	2.250	2.875	1815	0.2367	47.3	59.2	82.8	106.5	130.2
	<i>HP REQUIRED @ RPM**</i>				55.7	69.6	97.4	125.2	154.0

METRIC UNITS

SC-115L

	PLUNGER SIZE MM.	STUFFING BOX BORE MM.	MAX PRESS. BAR	*LITER PER/REV.	200 RPM LPM	250 RPM LPM	350 RPM LPM	450 RPM LPM	550 RPM LPM
Piston only →	76.2	PISTON	70.3	1.5929	318.6	398.2	557.5	716.8	876.1
	69.9	88.9	83.8	1.3381	267.6	334.5	468.3	602.1	736.0
	66.7	88.9	91.9	1.2193	243.9	304.8	426.8	548.7	670.6
	63.5	82.6	101.4	1.1061	221.2	276.5	387.1	497.7	608.4
	60.3	82.6	112.3	0.9982	199.6	249.6	349.4	449.2	549.0
	57.2	73.0	125.1	0.8960	179.2	224.0	313.6	403.2	492.8
	<i>KW REQUIRED @ RPM**</i>				41.5	51.9	72.6	93.4	114.8

*Displacement based on 100% Volumetric Efficiency

**Power based on 90% Mechanical Efficiency

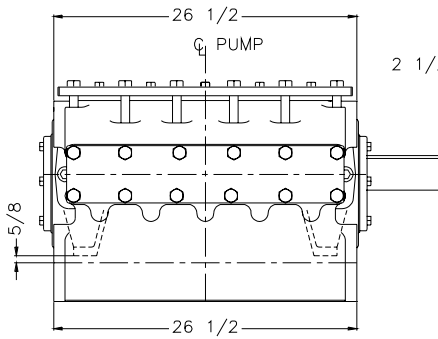
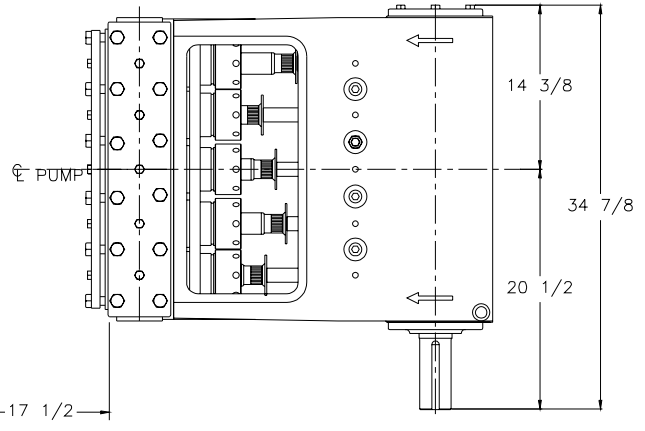
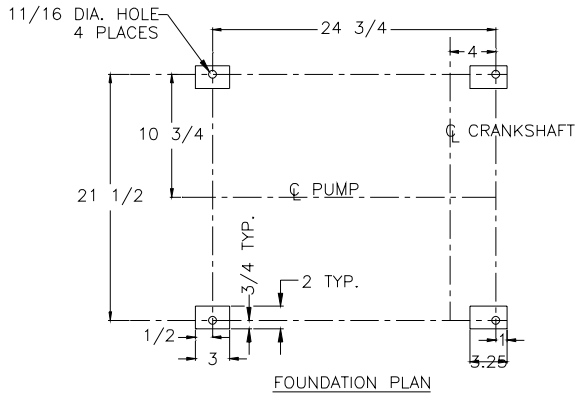
$$IHP = \frac{USGPM \times (\text{Discharge psig} - 1/2 \text{ Suction psig})}{1542}$$

$$IKW = \frac{M^3/HR \times (\text{Discharge Bar} - 1/2 \text{ Suction Bar})}{17.99}$$

$$PUMP \text{ RPM} = \frac{USGPM \text{ Desired}}{USGPM \text{ per Revolution of Selected Plunger}}$$

$$PUMP \text{ RPM} = \frac{M^3/HR \text{ Desired}}{M^3 \text{ per Revolution of Selected Plunger}}$$

SC-115L Quintuplex Pump



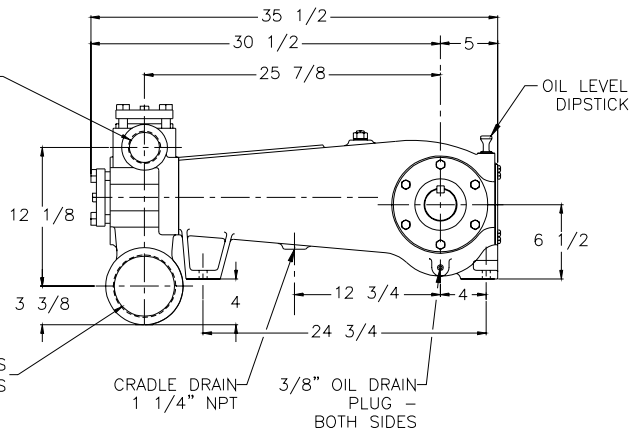
DISCHARGE PORTS
2 1/2" NPTF - BOTH SIDES

SUCTION PORTS
5" NPTF - BOTH SIDES

CRADLE DRAIN
1 1/4" NPT

3/8" OIL DRAIN
PLUG -
BOTH SIDES

OIL LEVEL
DIPSTICK



ENGINEERING DATA

SC-115L Quintuplex Pump

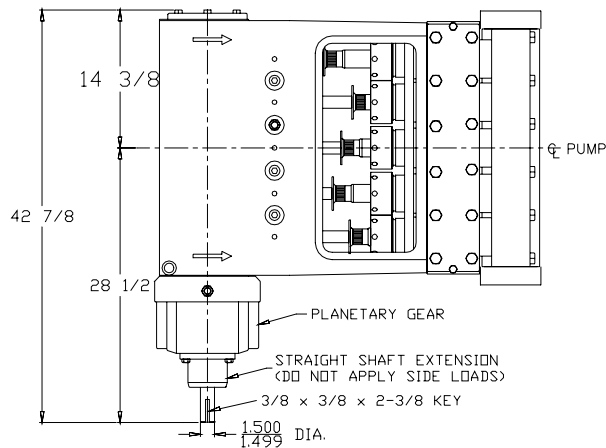
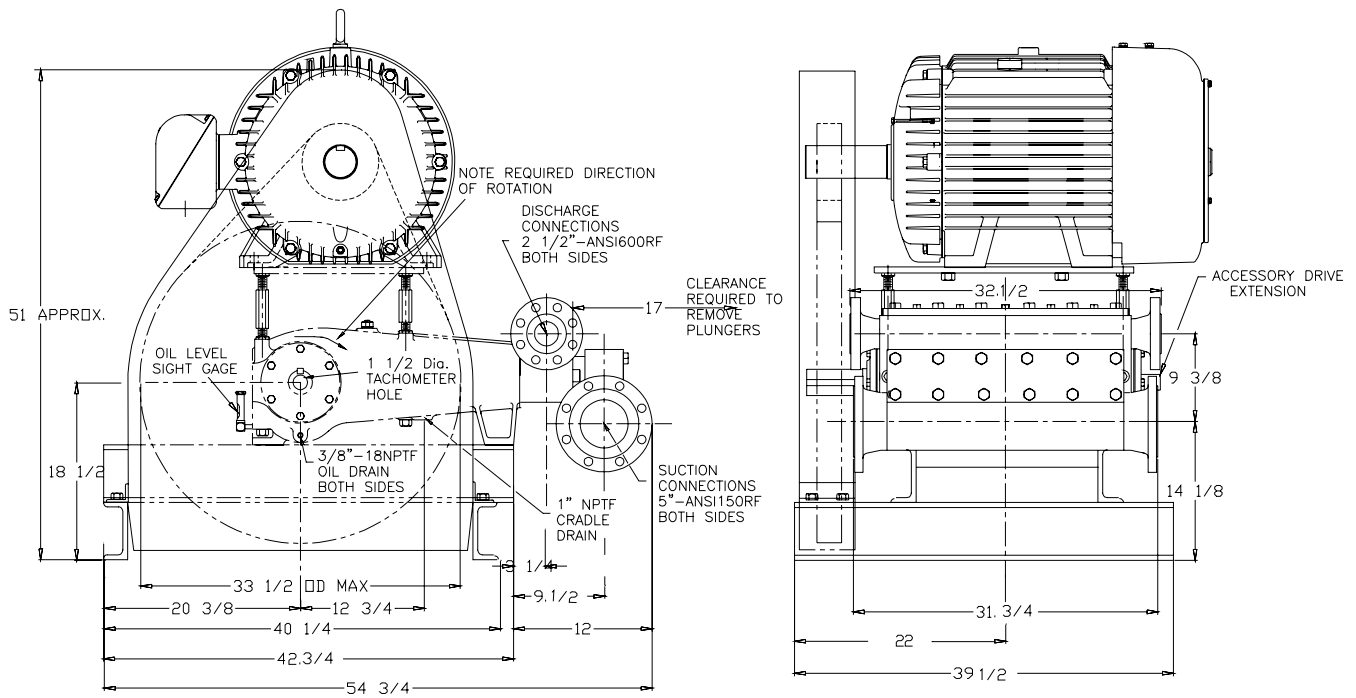
POWER END ENGINEERING DATA

Max. Input Power @ Speed	154 HP @ 550 rpm
Rated Continuous Plunger Load	7,216 lb.
Normal Continuous Speed Range	150-400 rpm
Minimum Speed	100 rpm
Oil Capacity	15 U.S. Qrts
Power End Oiling System	Splash & Scoop
Power Frame, One-Piece	Cast Iron
Crosshead, Full Cylindrical	Cast Iron
Crosshead, Dia. x Length.....	4 x 4 1/2 in.
Crankshaft	Ductile Iron
Crankshaft Diameters:	
At Tapered Roller Bearings	3.35 in.
At Crankpin Bearings, Dia. x Length.....	2 3/4 x 2 in.
Crosshead (Wrist) Pin, Case-Hardened and Ground	AISI 8620
Main Bearings, Tapered Roller	Timken®
Crankpin Bearings, Precision Automotive	Babbitt-Lined
Extension (Pony) Rod Integral w/ Plungers	316 S.ST.
Connecting Rod, Automotive Type	Ductile Iron
Average Crosshead Speed @ 550 rpm	252 fpm
Minimum Life Expectancy, Main Bearings, L ₁₀	40,000+ hr.

LIQUID END ENGINEERING DATA

Max. Continuous Working Pressure	1,815 psi
Hydrostatic Test	2,700 psi
Liquid End Materials, A.S.T.M.	
Ductile Iron	A536 80-55-06
Plunger Type "Rokide" Stainless Steel, (Chromium Oxide-Coated)	416 S.ST.
Stuffing boxes, Field-Removable and Replaceable, Carbon Steel	1020
Packing Types Available:	
Gland-Adjustable	Hi/Lo
Spring-loaded, Braided Teflon & Kevlar	Style 140
Piston Types Available:	
Kevlar and Nitrile	
Black Rubber	
Urethane	
Liner Types Available:	
Ceramic (Solid White)	
Chrome Oxide Coated	
Seals, Stuffing Boxes, Valve Covers	Buna-N
Valve Type, Abrasion Resistant	17-4PH S.ST.
Valve Spring Material	Inconel®
Valve Seat, Liquid Passage Area.....	1.82 sq.in.
Avg. Liquid Velocity, with 2 3/4" Plungers @ 550 RPM	
thru A/R Valves	13.7 fps
thru Suction Manifold.....	2.6 fps
thru Discharge Manifold.....	12.7 fps

SC-115L Quintuplex Pump



740 EAST 9TH STREET,
ASHLAND, OHIO 44805
WWW.MYERSAPLEX.COM

269 TRILLIUM DRIVE, KITCHENER,
ONTARIO, CANADA N2G 4W5
WWW.MYERSAPLEX.COM

Inconel® is a registered trademark of the Special Metals family of companies
Timken® is a registered trademark of The Timken Company
Myers® is a registered trademark of Pentair Ltd.

Because we are continuously improving our products and services, Pentair reserves the right to change specifications without prior notice.
MA3010 03/11/13 © 2013 Pentair Ltd. All Rights Reserved.

www.powerzone.com