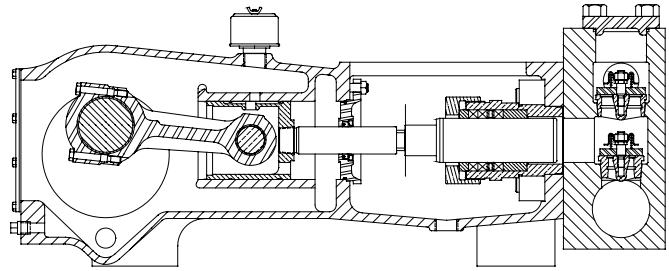


# MYERS® APLEX SERIES

## SC-170

### TRIPLEX PLUNGER PUMP



### Intermittent Duty Only

No. of plungers.....	3
Maximum rated speed.....	450 rpm
Stroke length.....	4.25 in. 108.0 mm
Maximum rated power.....	230 HP 171.4 KW
Maximum rod load .....	14,280 lb. 63.40 kN
Weight .....	1850 lbs.

#### ENGLISH UNITS

#### SC-170

PLUNGER SIZE IN.	STUFFING BOX BORE IN.	MAX PSI.	* GALLON PER/REV.	250 RPM US GPM	300 RPM US GPM	350 RPM US GPM	400 RPM US GPM	450 RPM US GPM
3.500	4.500	1484	0.531	132.8	159.3	185.9	212.4	239.0
3.375	4.500	1596	0.494	123.4	148.1	172.8	197.5	222.2
3.250	4.500	1721	0.458	114.5	137.4	160.3	183.2	206.0
3.125	4.000	1862	0.423	105.8	127.0	148.2	169.3	190.5
3.000	4.000	2020	0.390	97.5	117.0	136.6	156.1	175.6
2.875	4.000	2199	0.358	89.6	107.5	125.4	143.3	161.2
2.750	4.000	2404	0.328	82.0	98.4	114.7	131.1	147.5
2.625	4.000	2638	0.299	74.7	89.6	104.5	119.5	134.4
2.500	3.250	2909	0.271	67.7	81.3	94.8	108.4	121.9

<i>HP REQUIRED @ RPM**</i>	127.8	153.3	178.9	204.4	230.0
----------------------------	-------	-------	-------	-------	-------

#### METRIC UNITS

#### SC-170

PLUNGER SIZE MM.	STUFFING BOX BORE MM.	MAX PRESS. BAR	* LITER PER/REV.	250 RPM LPM	300 RPM LPM	350 RPM LPM	400 RPM LPM	450 RPM LPM
88.9	114.3	102.3	2.010	502.5	603.0	703.5	804.0	904.5
85.7	114.3	110.0	1.869	467.3	560.8	654.2	747.7	841.1
82.6	114.3	118.7	1.733	433.3	520.0	606.7	693.3	780.0
79.4	101.6	128.4	1.602	400.6	480.7	560.8	641.0	721.1
76.2	101.6	139.3	1.477	369.3	443.1	517.0	590.8	664.7
73.0	101.6	151.6	1.356	339.1	406.9	474.7	542.5	610.3
69.9	101.6	165.7	1.241	310.2	372.3	434.3	496.4	558.4
66.7	101.6	181.9	1.131	282.7	339.2	395.7	452.3	508.8
63.5	82.6	200.6	1.026	256.4	307.7	358.9	410.2	461.5

<i>KW REQUIRED @ RPM**</i>	95.2	114.3	133.3	152.4	171.5
----------------------------	------	-------	-------	-------	-------

*\*Displacement based on 100% Volumetric Efficiency*

*\*\*Power based on 90% Mechanical Efficiency*

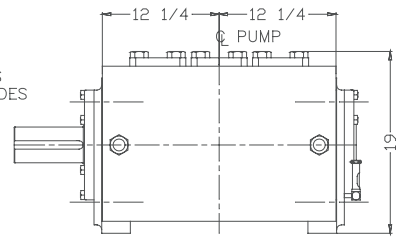
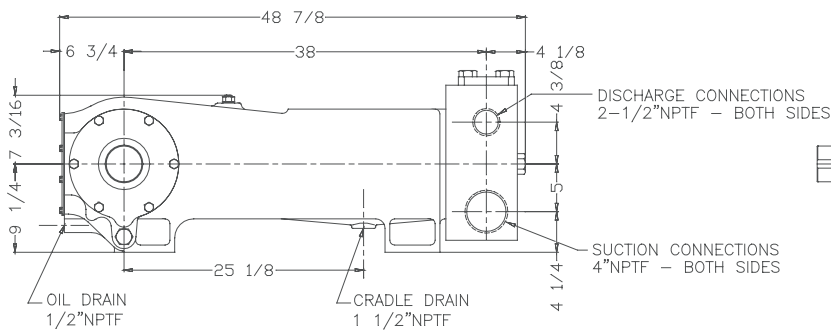
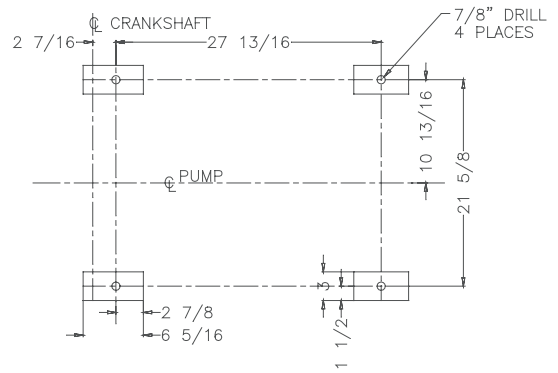
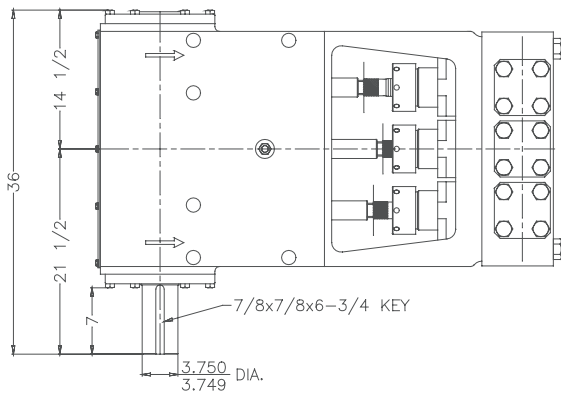
$$IHP = \frac{USGPM \times (\text{Discharge psig} - 1/2 \text{ Suction psig})}{1542}$$

$$IKW = \frac{M^3/HR \times (\text{Discharge Bar} - 1/2 \text{ Suction Bar})}{17.99}$$

$$PUMP \text{ RPM} = \frac{USGPM \text{ Desired}}{USGPM \text{ per Revolution of Selected Plunger}}$$

$$PUMP \text{ RPM} = \frac{M^3/HR \text{ Desired}}{M^3 \text{ per Revolution of Selected Plunger}}$$

# SC-170 Triplex Pump



# ENGINEERING DATA

## SC-170 Triplex Pump

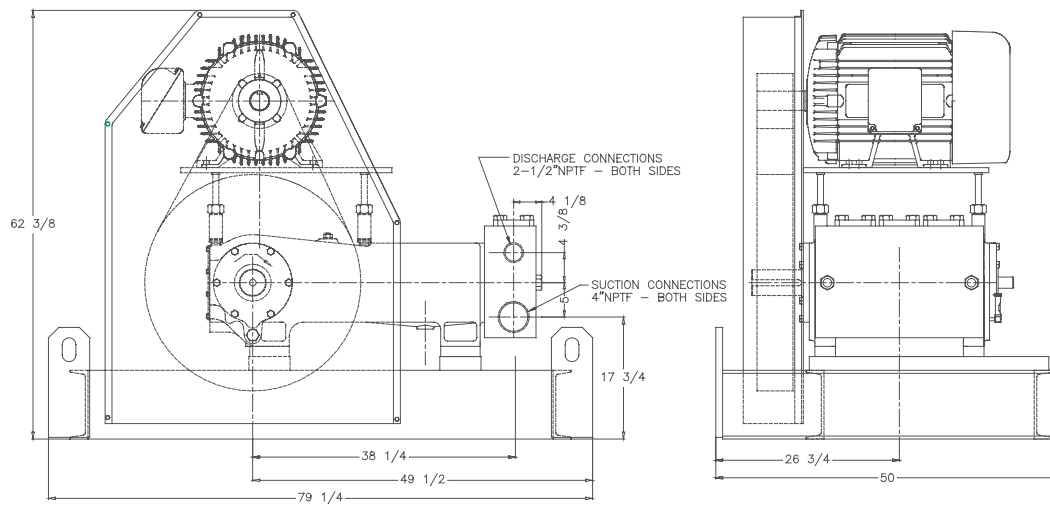
### POWER END ENGINEERING DATA

Max. Input Power @ Speed .....	230 HP @ 450 rpm
Rated Continuous Plunger Load .....	14,280 lb.
Minimum Speed .....	100 rpm
Oil Capacity .....	18 U.S. Qrts
Power End Oiling System .....	Splash & Scoop
Power Frame, One-Piece .....	Cast Iron
Crosshead, Full Cylindrical .....	Cast Iron
Crosshead, Dia. x Length.....	5 3/4 x 6 3/16 in.
Crankshaft .....	Ductile Iron
Crankshaft Diameters:	
At Tapered Roller Bearings .....	4 in.
At Crankpin Bearings, Dia. x Length.....	4 x 3 in.
Crosshead (Wrist) Pin, Case-Hardened and Ground .....	AISI 8620
Main Bearings, Tapered Roller .....	Timken®
Crankpin Bearings, Precision Automotive .....	Babbitt-Lined
Extension (Pony) Rod Integral w/ Plungers .....	17-4 PH S.ST.
Connecting Rod, Automotive Type .....	Ductile Iron
Average Crosshead Speed @ 450 rpm .....	267 fpm

### LIQUID END ENGINEERING DATA

Max. Continuous Working Pressure .....	3,500 psi
Hydrostatic Test .....	5,250 psi
Liquid End Materials, A.S.T.M.	
Carbon Steel.....	A516 Gr.70
Plunger Type “Rokide” Stainless Steel, (Chromium Oxide-Coated) .....	416 or 316 S.ST.
Stuffing boxes, Field-Removable and Replaceable, Carbon Steel .....	1020
Packing Types Available:	
Gland-loaded, Non-Adjustable .....	Style 838
Spring-loaded, Braided Teflon & Kevlar .....	Style 140
Spring-loaded, cup-type .....	Style 120X
Spring-loaded, Garlock .....	Style 892IK
Valve Cover and Cyl. Head Plugs .....	A36
Seals, Stuffing Boxes, Valve Covers .....	Buna-N
Valve Type .....	17-4PH S.ST.
Valve Spring Material .....	Inconel®
Valve Seat, Liquid Passage Area .....	3.925 sq.in.
Avg. Liquid Velocity, with 3 1/8” Plungers @ 450 RPM	
thru Valves .....	9.71 fps
thru Suction Manifold.....	4.54 fps
thru Discharge Manifold.....	10.24 fps

## SC-170 Triplex Pump



740 EAST 9TH STREET,  
ASHLAND, OHIO 44805  
WWW.MYERSAPLEX.COM

269 TRILLIUM DRIVE, KITCHENER,  
ONTARIO, CANADA N2G 4W5  
WWW.MYERSAPLEX.COM

Inconel® is a registered trademark of the Special Metals family of companies  
Timken® is a registered trademark of The Timken Company  
Myers® is a registered trademark of Pentair Ltd.

Because we are continuously improving our products and services, Pentair reserves the right to change specifications without prior notice.  
MA3012 03/13/13 © 2013 Pentair Ltd. All Rights Reserved.

[www.powerzone.com](http://www.powerzone.com)