

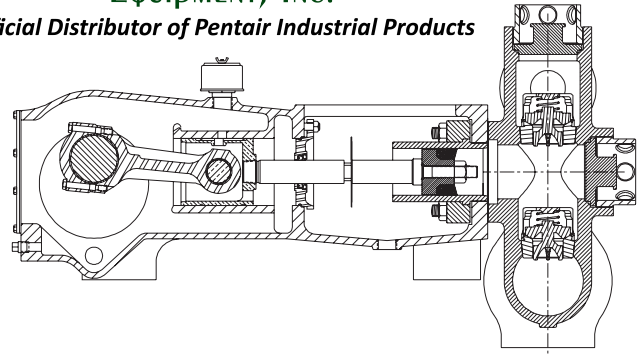


Official Distributor of Pentair Industrial Products

MYERS® APLEX SERIES

SC-170DD

TRIPLEX PUMP



No. of cylinders.....	3
Maximum rated speed.....	450 rpm
Stroke length.....	4.25 in. 108 mm
Maximum rated power.....	230 HP 171 KW
Maximum rod load	14,280 lb. 63.4 kN
Weight	2325 lbs.

ENGLISH UNITS								SC-170DD
PISTON SIZE IN.	STUFFING BOX BORE IN.	MAX PSI.	* GALLON PER/REV.	250 RPM US GPM	300 RPM US GPM	350 RPM US GPM	400 RPM US GPM	450 RPM US GPM
4.500	PISTON	900	.8778	219.4	263.3	307.2	351.1	395.0
4.250	PISTON	1000	.7830	195.7	234.9	274.0	313.2	352.3
4.000	PISTON	1136	.6936	173.4	208.0	242.7	277.4	312.1
<i>HP REQUIRED @ RPM**</i>				128.0	175.0	179.2	204.9	230.5
METRIC UNITS								SC-170DD
PLUNGER SIZE MM.	STUFFING BOX BORE MM.	MAX PRESS.BAR	* LITER PER/REV.	250 RPM LPM	300 RPM LPM	350 RPM LPM	400 RPM LPM	450 RPM LPM
114.3	PISTON	62.0	3.32	830.5	996.6	1162.8	1329.0	1495.2
107.9	PISTON	68.9	2.96	740.8	889.1	1037.2	1185.5	1333.6
101.6	PISTON	78.3	2.62	656.3	787.3	918.7	1050.0	1181.4
<i>KW REQUIRED @ RPM**</i>				95.4	130.4	133.6	152.7	171.8

*Displacement based on 100% Volumetric Efficiency

**Power based on 90% Mechanical Efficiency

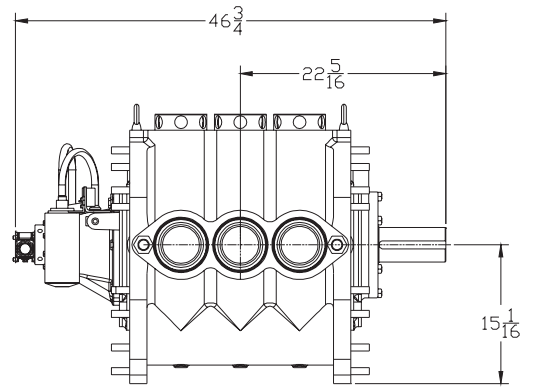
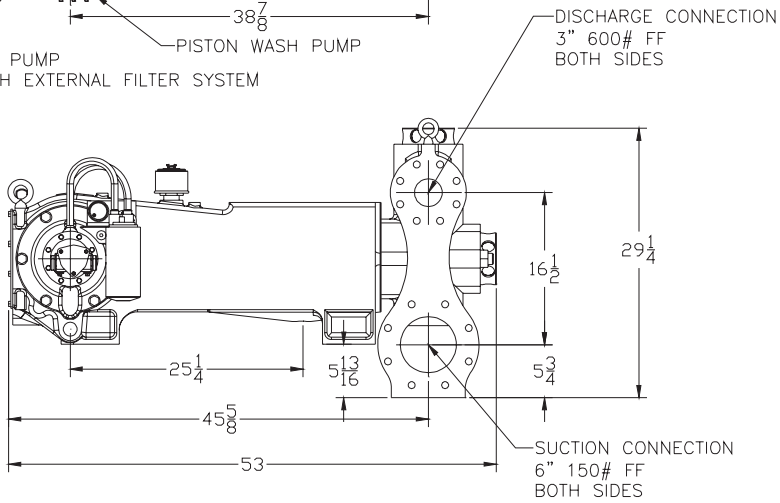
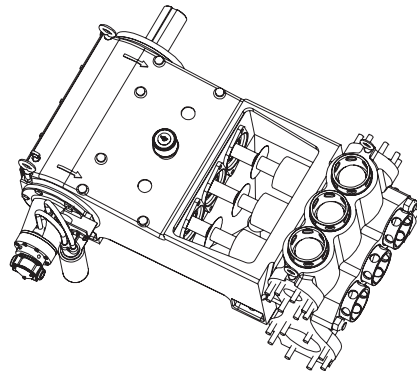
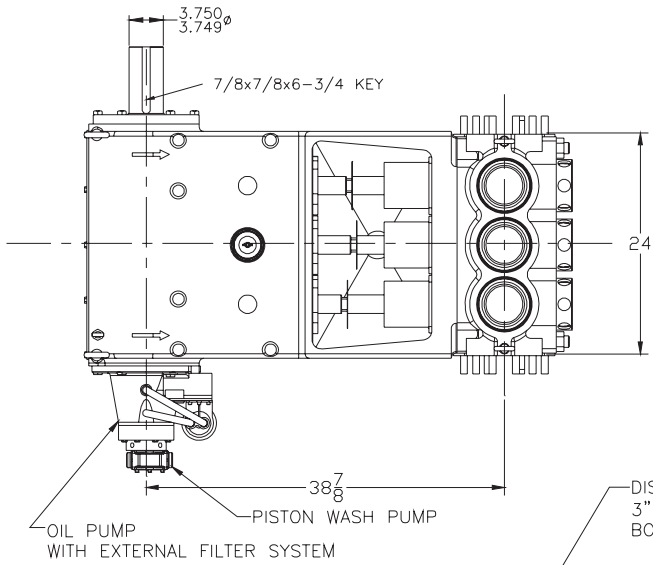
$$IHP = \frac{USGPM \times (\text{Discharge psig} - 1/2 \text{ Suction psig})}{1542}$$

$$IKW = \frac{M^3/HR \times (\text{Discharge Bar} - 1/2 \text{ Suction Bar})}{17.99}$$

$$PUMP \text{ RPM} = \frac{USGPM \text{ Desired}}{USGPM \text{ per Revolution of Selected Plunger}}$$

$$PUMP \text{ RPM} = \frac{M^3/HR \text{ Desired}}{M^3 \text{ per Revolution of Selected Plunger}}$$

SC-170DD Triplex Pump



ENGINEERING DATA

SC-170DD Triplex Pump

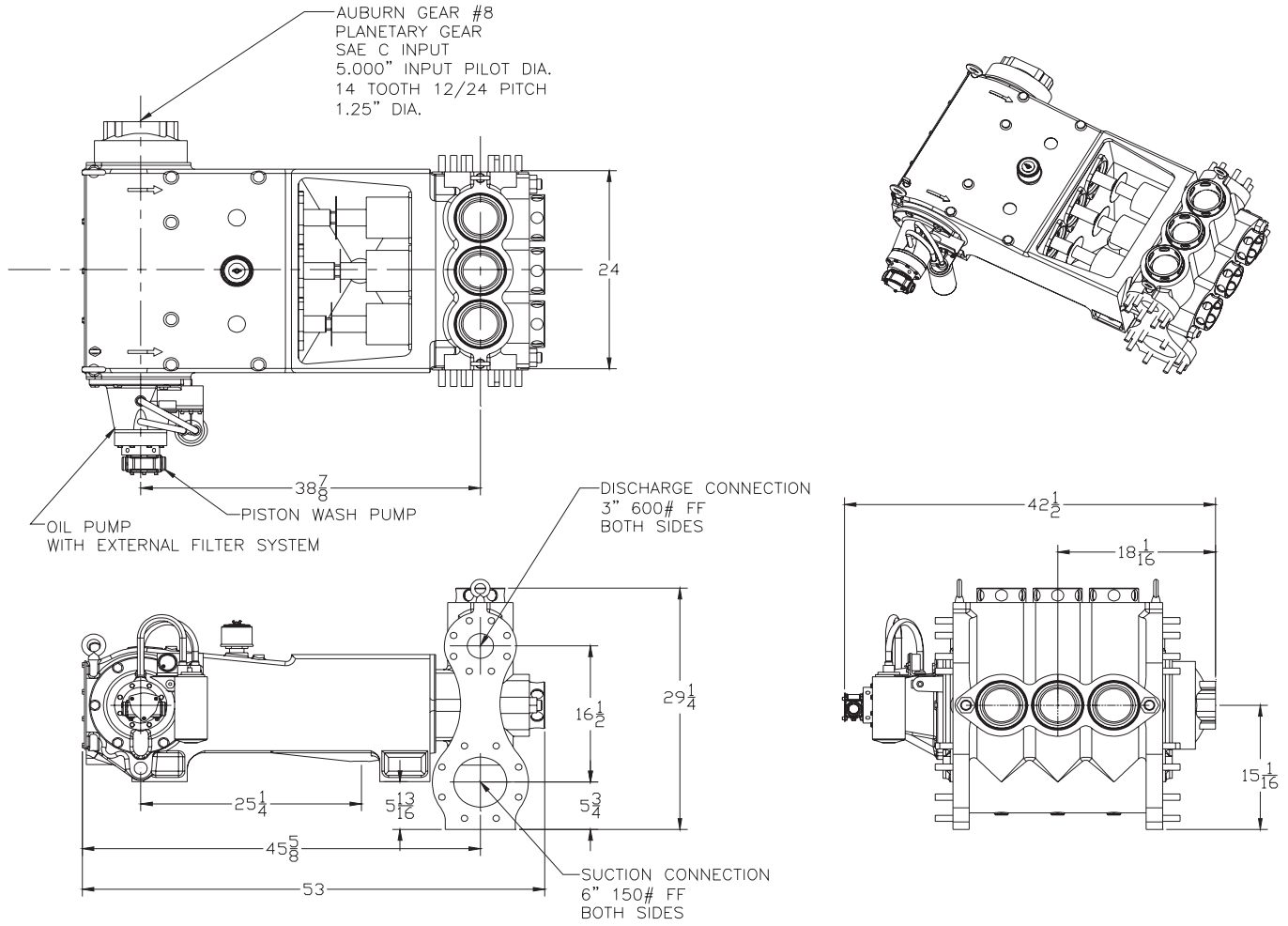
POWER END ENGINEERING DATA

Max. Input HP @ Speed	230 @ 450 RPM
Rated Continuous Plunger Load	14,280 lb.
Max. Rated Continuous Speed	450 RPM
Normal Continuous Speed Range	100 to 350 RPM
Minimum Speed	100 RPM
Oil Capacity	18 U.S. Qrts
Power End Oiling System	Pressure Lubrication
Power Frame, One-Piece	Cast Iron
Crosshead, Full Cylindrical	Cast Iron
Crosshead, Dia. x Length	5 3/4 x 6 3/16 inches
Crankshaft	Forged and Nitrided Steel
Crankshaft Diameters:	
At Tapered Roller Bearings	4 in.
At Crankpin Bearings, Dia. x Length	4 x 3 inches
Crosshead (Wrist) Pin, Case-Hardened and Ground	AISI 8620
Main Bearings, Tapered Roller	Timken®
Crankpin Bearings, Precision Automotive	Steel Backed, Babbitt-Lined
Extension (Pony) Rod	17-4PH S.S.Hardened
Connecting Rod, Automotive Type	Ductile Iron
Average Crosshead Speed @ 450 rpm	318 fpm
Minimum Life Expectancy, Main Bearings, L ₁₀	45,000+ hr.

LIQUID END ENGINEERING DATA

Max. Continuous Working Pressure	1480 psi
Hydrostatic Test	2220 psi
Available Liquid End Materials, A.S.T.M.	
Carbon Steel Block	A516 Gr.70
Ductile Iron Casting	A536 80-55-06
Piston Liner Type	High Chrome Iron
Piston Cups Available:	
Urethane	
HSN and Kevlar	
Nitrile	
Retainer Plates, Ductile Iron, A.S.T.M.	A536 80-55-06
Seals, Stuffing Boxes, Valve Covers, Cyl. Heads	Buna-N
Valve Type	
Abrasion Resistant (Wing and Post Guided)	
Valve Seat, Liquid Passage Areas	5.3 sq.in.
Avg. Liquid Velocity with 4" pistons @ 400 rpm	
thru Valves	11.2 fps
thru Suction Manifold	3.14 fps
thru Discharge Manifold	12.6 fps

SC-170DD Triplex Pump



740 EAST 9TH STREET, ASHLAND, OHIO 44805
WWW.MYERSAPLEX.COM

269 TRILLIUM DRIVE, KITCHENER, ONTARIO, CANADA N2G 4W5
WWW.MYERSAPLEX.COM

Timken® is a registered trademark of The Timken Company
Myers® is a registered trademark of Pentair Ltd.

Because we are continuously improving our products and services, Pentair reserves the right to change specifications without prior notice.
MA3021 03/13/13 © 2013 Pentair Ltd. All Rights Reserved.

www.powerzone.com