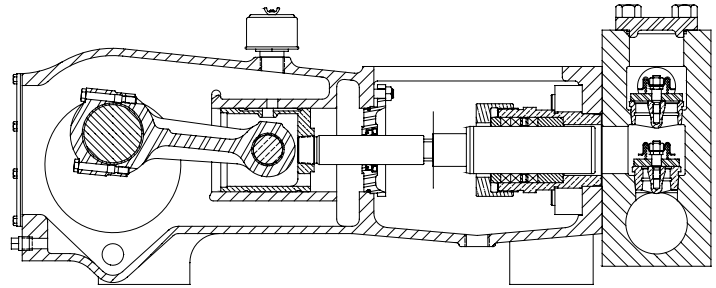


MYERS® APLEX SERIES
SC-170H
TRIPLEX PLUNGER PUMP


No. of plungers.....	3
Maximum rated speed.....	450 rpm
Stroke length.....	4.25 in. 108.0 mm
Maximum rated power.....	.230 HP 171 KW
Maximum rod load	14,280 lb. 63.4 kN
Weight.....	2025 lbs.

ENGLISH UNITS
SC-170H

PLUNGER SIZE IN.	STUFFING BOX BORE IN.	MAX PSI.	* GALLON PER/REV.	250 RPM US GPM	300 RPM US GPM	350 RPM US GPM	400 RPM US GPM	450 RPM US GPM
2.375	3.250	3223	0.245	61.1	73.4	85.6	97.8	110.0
2.250	3.250	3592	0.219	54.9	65.8	76.8	87.8	98.8
2.125	3.250	4027	0.196	48.9	58.7	68.5	78.3	88.1
2.000	2.875	4548	0.173	43.4	52.0	60.7	69.4	78.0
1.875	2.875	5172	0.152	38.1	45.7	53.3	61.0	68.6
1.750	2.875	5600	0.133	33.2	39.8	46.5	53.1	59.7

*HP REQUIRED @ RPM***

127.8 153.3 178.9 204.4 230.0

METRIC UNITS
SC-170H

PLUNGER SIZE MM.	STUFFING BOX BORE MM.	MAX PRESS. BAR	* LITER PER/REV.	250 RPM LPM	300 RPM LPM	350 RPM LPM	400 RPM LPM	450 RPM LPM
60.3	82.6	222.3	0.926	231.4	277.6	323.9	370.2	416.5
57.1	82.6	247.7	0.831	207.7	249.3	290.8	332.4	373.9
53.9	82.6	277.7	0.741	185.3	222.4	259.4	296.5	333.5
50.8	73.0	313.7	0.656	164.1	196.9	229.7	262.6	295.4
47.6	73.0	356.7	0.577	144.2	173.1	201.9	230.8	259.6
44.5	73.0	386.2	0.503	125.7	150.8	175.9	201.1	226.2

*KW REQUIRED @ RPM***

95.2 114.3 133.3 152.4 171.5

**Displacement based on 100% Volumetric Efficiency*
***Power based on 90% Mechanical Efficiency*

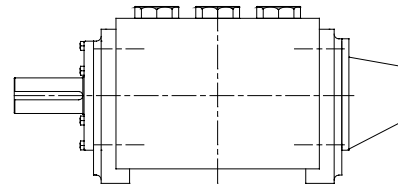
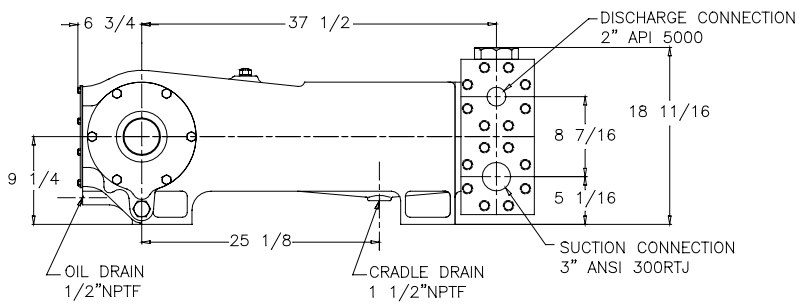
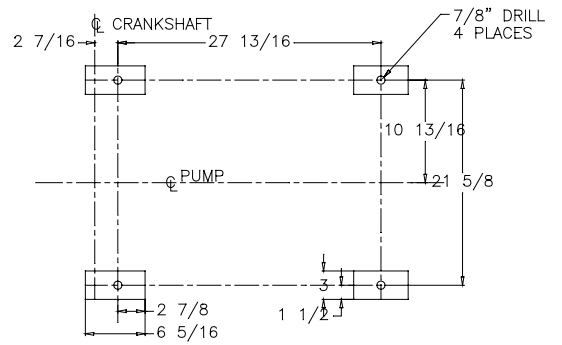
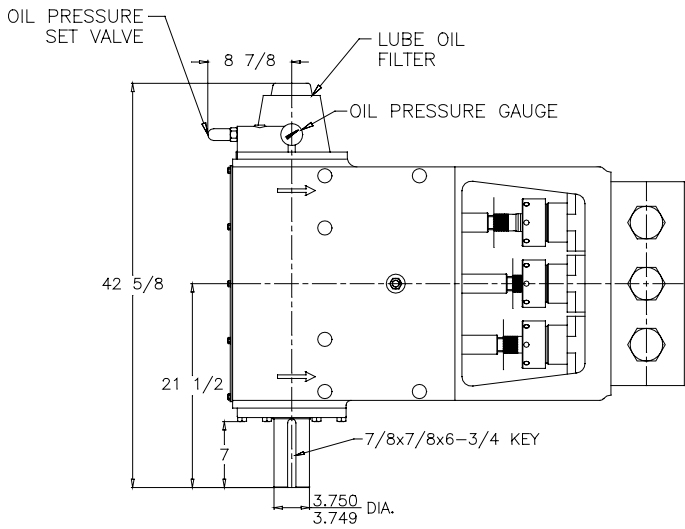
$$IHP = \frac{USGPM \times (\text{Discharge psig} - 1/2 \text{ Suction psig})}{1542}$$

$$IKW = \frac{M^3/HR \times (\text{Discharge Bar} - 1/2 \text{ Suction Bar})}{17.99}$$

$$PUMP \text{ RPM} = \frac{USGPM \text{ Desired}}{USGPM \text{ per Revolution of Selected Plunger}}$$

$$PUMP \text{ RPM} = \frac{M^3/HR \text{ Desired}}{M^3 \text{ per Revolution of Selected Plunger}}$$

SC-170H Triplex Pump



ENGINEERING DATA

SC-170H Triplex Pump

POWER END ENGINEERING DATA

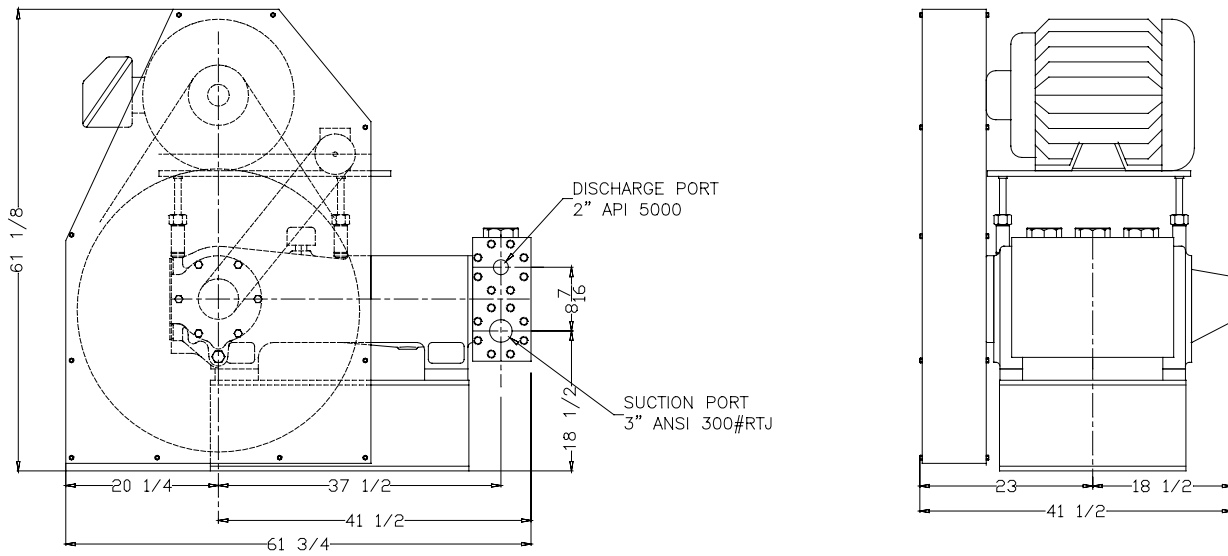
Max. Input HP @ Speed	230 HP @ 450 rpm
Rated Continuous Plunger Load	14,280 lb.
Normal Continuous Speed Range	150 to 400 rpm
Minimum Speed	100 rpm
Oil Capacity	18 U.S. Qrts
Power End Oiling System	Pressure Lubrication
Power Frame, One-Piece	Cast Iron
Crosshead, Full Cylindrical	Cast Iron
Crosshead, Dia. x Length	5 3/4 x 6 3/16 in.
Crankshaft	Ductile Iron
Crankshaft Diameters:	
At Tapered Roller Bearings	4.0 in.
At Crankpin Bearings	4 x 3 in.
Crosshead (Wrist) Pin, Case-Hardened and Ground	AISI 8620
Main Bearings, Tapered Roller	Timken®
Crankpin Bearings, Precision Automotive	Babbitt-Lined
Extension (Pony) Rod	17-4PH S.S.
Connecting Rod, Automotive Type	Ductile Iron
Average Crosshead Speed @ 450 rpm	318 fpm
Minimum Life Expectancy, Main Bearings, L ₁₀	45,000+ hr.

LIQUID END ENGINEERING DATA

Max. Continuous Working Pressure	5600 psi
Hydrostatic Test	9640 psi
Liquid End Materials, A.S.T.M.	
Carbon Steel Block	4140
Stainless Steel Block	15-5PH S.S.
Plunger Type “Rokide” (Chromium Oxide-Coated)	316 S.S.
Stuffing Boxes, Field-Removable and Replaceable	
Packing Types Available:	
Spring-loaded, Cup-type	Style 120X
Spring-loaded, Kevlar	Style 140
Seals, Stuffing Boxes, Valve Covers	Buna-N
Bolting, High Strength, Heat Treated	Alloy Steel
Valve Types Available:	
Standard, Hardened and Lapped	17-4PH S.S.
Optional, Abrasion Resistant	17-4PH S.S.
Valve Spring Material	Inconel®
Valve Seat, Liquid Passage Area	2.3 sq.in.
Avg. Liquid Velocity with 1 5/8” plungers @ 450 rpm	
thru Valves	8.0 fps
thru Suction Manifold	3.4 fps
thru Discharge Manifold	7.6 fps

All drawings and specifications subject to change without notice.

SC-170H Triplex Pump



740 EAST 9TH STREET,
ASHLAND, OHIO 44805

269 TRILLIUM DRIVE, KITCHENER,
ONTARIO, CANADA N2G 4W5

Inconel® is a registered trademark of the Special Metals family of companies
Timken® is a registered trademark of The Timken Company
Myers® is a registered trademark of Pentair Ltd.

Because we are continuously improving our products and services, Pentair reserves the right to change specifications without prior notice.
MA3020 03/13/13 © 2013 Pentair Ltd. All Rights Reserved.

WWW.POWERZONE.COM