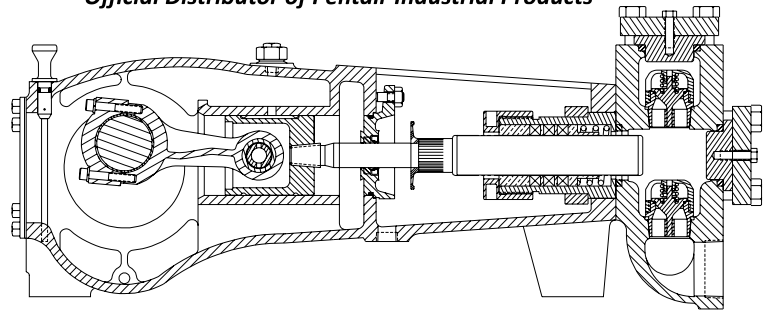


**MYERS® APLEX SERIES**
**SC-30**  
 TRIPLEX PUMP

**Intermittent Duty Only**

No. of plungers .....	3
Maximum rated speed.....	650 rpm
Stroke length.....	1.75 in. 44.5 mm
Maximum rated power.....	40 HP 30 KW
Maximum rod load .....	4193 lb. 18.6 kN
Weight .....	225 lbs.

ENGLISH UNITS									SC-30
PLUNGER SIZE IN.	STUFFING BOX BORE IN.	MAX PSI.	* GALLON PER/REV.	250 RPM US GPM	350 RPM US GPM	450 RPM US GPM	550 RPM US GPM	650 RPM US GPM	
<b>Piston only</b> → 1.750	PISTON	1743	.0546	13.6	19.1	24.6	30.0	35.5	
1.625	2.125	2022	.0471	11.8	16.5	21.2	25.9	30.6	
1.500	2.125	2373	.0401	10.0	14.1	18.1	22.1	26.1	
1.375	2.125	2824	.0337	8.4	11.8	15.2	18.6	21.9	
1.250	2.125	3417	.0278	7.0	9.8	12.6	15.3	18.1	
<i>HP REQUIRED @ RPM**</i>				15.3	21.5	27.8	33.9	40.1	

METRIC UNITS									SC-30
PLUNGER SIZE MM.	STUFFING BOX BORE MM.	MAX PRESS.BAR	* LITER PER/REV.	250 RPM LPM	350 RPM LPM	450 RPM LPM	550 RPM LPM	650 RPM LPM	
<b>Piston only</b> → 44.4	PISTON	120.1	.2070	51.4	72.3	93.1	113.5	134.3	
41.3	54.0	139.4	.1785	44.6	62.5	80.3	98.2	116.0	
38.1	54.0	163.6	.1520	38.0	53.2	68.4	83.6	98.8	
34.9	54.0	194.7	.1278	32.0	44.7	57.5	70.3	82.6	
31.8	54.0	235.6	.1056	26.4	36.8	47.5	58.1	68.6	
<i>KW REQUIRED @ RPM**</i>				11.4	16.0	20.7	25.2	29.9	

\*Displacement based on 100% Volumetric Efficiency

\*\*Power based on 90% Mechanical Efficiency

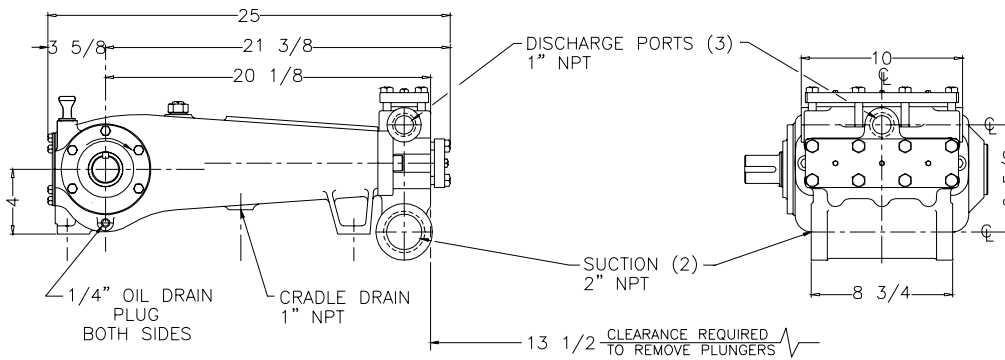
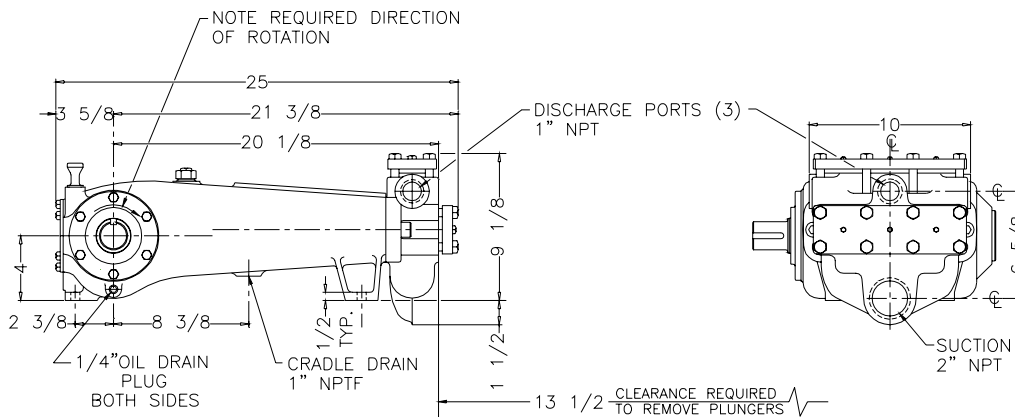
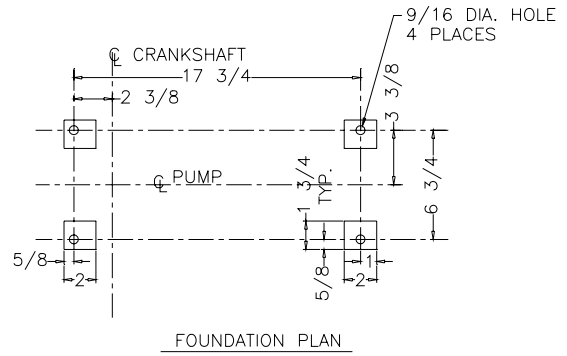
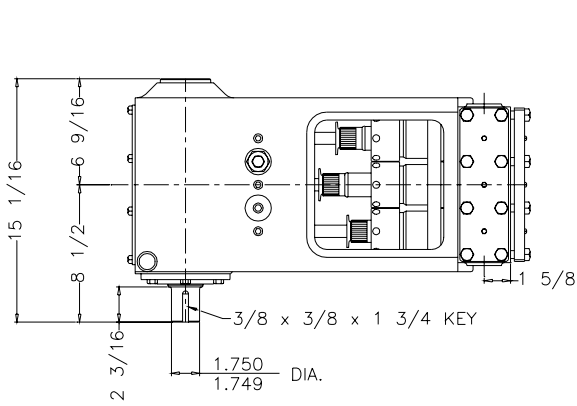
$$IHP = \frac{USGPM \times (\text{Discharge psig} - 1/2 \text{ Suction psig})}{1542}$$

$$IKW = \frac{M^3/HR \times (\text{Discharge Bar} - 1/2 \text{ Suction Bar})}{17.99}$$

$$PUMP \text{ RPM} = \frac{USGPM \text{ Desired}}{USGPM \text{ per Revolution of Selected Plunger}}$$

$$PUMP \text{ RPM} = \frac{M^3/HR \text{ Desired}}{M^3 \text{ per Revolution of Selected Plunger}}$$

# SC-30 Triplex Pump



# ENGINEERING DATA

## SC-30 Triplex Pump

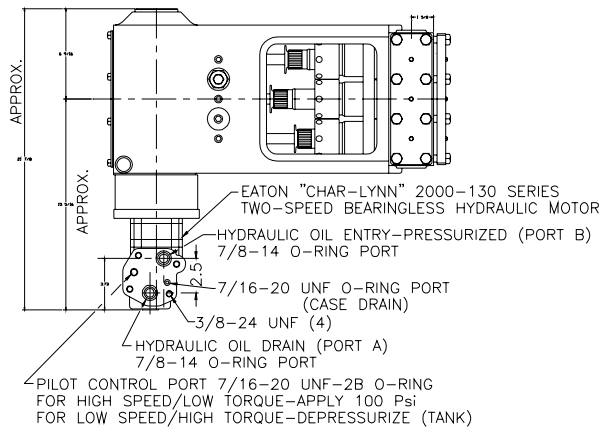
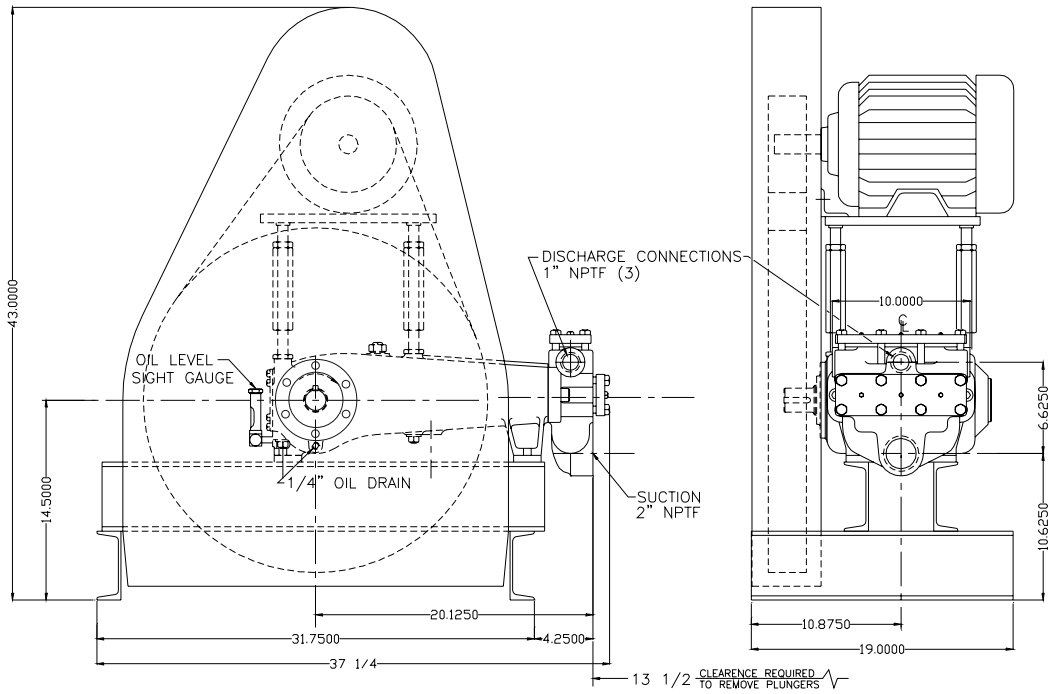
### POWER END ENGINEERING DATA

Max. Input Power @ Speed .....	40 HP @ 650 rpm
Rated Continuous Rod Load .....	4,193 lb.
Normal Continuous Speed Range .....	150 to 600 rpm
Minimum Speed .....	100 rpm
Oil Capacity .....	2 U.S. Qrts
Power End Oiling System .....	Splash & Scoop
Power Frame, One-Piece .....	Cast Iron
Crosshead, Full Cylindrical .....	Cast Iron
Crosshead, Dia. x Length .....	2 5/8 x 2 7/8 in.
Crankshaft .....	Ductile Iron
Crankshaft Diameters:	
At Tapered Roller Bearings .....	2.167 in.
At Crankpin Bearings, Dia. x Length .....	1.750 x 1.063 in.
Crosshead (Wrist) Pin, Case-Hardened and Ground .....	AISI 8620
Main Bearings, Tapered Roller .....	Timken®
Crankpin Bearings, Precision Automotive .....	Babbitt-Lined
Extension (Pony) Rod Integral w/ Plungers .....	316 S.ST.
Connecting Rod, Automotive Type .....	Ductile Iron
Average Crosshead Speed @ 600 rpm .....	189 fpm
Minimum Life Expectancy, Main Bearings, L <sub>10</sub> .....	10,000+ hr.

### LIQUID END ENGINEERING DATA

Max. Continuous Working Pressure .....	3,500 psi
Hydrostatic Test .....	5,250 psi
Liquid End Materials, A.S.T.M.	
Ductile Iron .....	A536 80-55-06
Nickel Aluminum Bronze .....	B148 C955
Carbon Steel .....	A516 Gr.70
Stainless Steel .....	316 or 2205 S.ST.
Plunger Type “Rokide” Stainless Steel, (Chromium Oxide-Coated) .....	316 S.ST.
Stuffing boxes, Field-Removable and Replaceable, Carbon Steel .....	1020
Packing Types Available:	
Gland-loaded, Non-Adjustable .....	Style 838
Spring-loaded, Braided Teflon & Kevlar .....	Style 140
Spring-loaded, cup-type .....	Style 120X
Spring-loaded, Garlock .....	Style 892IK
Valve Cover and Cyl. Head Plugs .....	316 S.ST.
Retainer Plates, Steel, A.S.T.M. .....	A36
Seals, Stuffing Boxes, Valve Covers .....	Buna-N
Valve Type, Double Stem-Guided .....	17-4PH S.ST.
Valve Spring Material .....	Inconel®
Valve Seat, Liquid Passage Area .....	573 sq.in.
Avg. Liquid Velocity, with 1 5/8” Plungers @ 650 RPM	
thru Valves .....	11.5 fps
thru Suction Manifold .....	2.5 fps
thru Discharge Manifold .....	11.6 fps

# SC-30 Triplex Pump



740 EAST 9TH STREET,  
ASHLAND, OHIO 44805  
WWW.MYERSAPLEX.COM

269 TRILLIUM DRIVE, KITCHENER,  
ONTARIO, CANADA N2G 4W5  
WWW.MYERSAPLEX.COM

Inconel® is a registered trademark of the Special Metals family of companies  
Timken® is a registered trademark of The Timken Company  
Myers® is a registered trademark of Pentair Ltd.

Because we are continuously improving our products and services, Pentair reserves the right to change specifications without prior notice.  
MA3001 03/09/13 © 2013 Pentair Ltd. All Rights Reserved.

[www.powerzone.com](http://www.powerzone.com)