



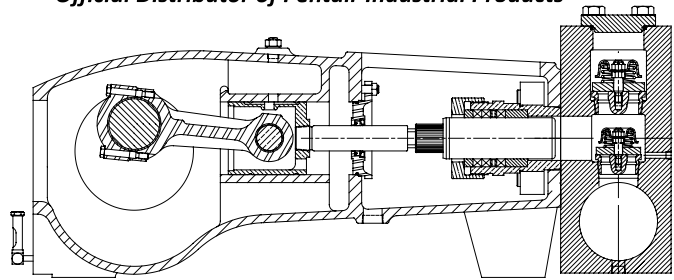
POWER ZONE
Equipment, Inc.

Official Distributor of Pentair Industrial Products

MYERS® APLEX SERIES

SC-300

QUINTUPLEX PLUNGER PUMP



Intermittent Duty Only

No. of plungers.....	5
Maximum rated speed.....	450 rpm
Stroke length.....	4.25 in. 107.95 mm
Maximum rated power.....	400 HP 298 KW
Maximum rod load	14,908 lb. 66.19 kN
Weight.....	3600 lbs.

ENGLISH UNITS				SC-300				
PLUNGER SIZE IN.	STUFFING BOX BORE IN.	MAX PSI.	* GALLON PER/REV.	250 RPM US GPM	300 RPM US GPM	350 RPM US GPM	400 RPM US GPM	450 RPM US GPM
3.500	4.500	1550	0.885	221.3	265.5	309.8	354.0	398.3
3.375	4.500	1666	0.823	205.7	246.9	288.0	329.2	370.3
3.250	4.500	1797	0.763	190.8	228.9	267.1	305.3	343.4
3.125	4.000	1944	0.706	176.4	211.7	246.9	282.2	317.5
3.000	4.000	2109	0.650	162.6	195.1	227.6	260.1	292.6
2.875	4.000	2296	0.597	149.3	179.2	209.0	238.9	268.7
2.750	4.000	2510	0.546	136.6	163.9	191.2	218.6	245.9
2.625	4.000	2755	0.498	124.5	149.4	174.2	199.1	224.0
2.500	3.250	3037	0.452	112.9	135.5	158.0	180.6	203.2
2.375	3.250	3365	0.408	101.9	122.3	142.6	163.0	183.4
HP REQUIRED @ RPM**				222.4	266.9	311.4	355.9	400.0
METRIC UNITS				SC-300				
PLUNGER SIZE MM.	STUFFING BOX BORE MM.	MAX BAR	* LITER PER/REV.	250 RPM LPM	300 RPM LPM	350 RPM LPM	400 RPM LPM	450 RPM LPM
88.9	114.3	106.9	3.351	837.6	1005.2	1172.7	1340.2	1507.7
85.7	114.3	114.9	3.115	778.9	934.6	1090.4	1246.2	1401.9
82.6	114.3	123.9	2.889	722.1	866.6	1011.0	1155.4	1299.9
79.4	101.6	134.0	2.671	667.8	801.3	934.8	1068.4	1201.9
76.2	101.6	145.4	2.462	615.4	738.5	861.6	984.7	1107.8
73.0	101.6	158.3	2.261	565.2	678.2	791.2	904.3	1017.3
69.9	101.6	173.1	2.068	517.1	620.5	723.9	827.3	930.7
66.9	101.6	190.1	1.884	471.1	565.3	659.5	753.8	848.0
63.5	82.6	209.4	1.710	427.4	512.9	598.3	683.8	769.3
60.3	82.6	232.0	1.543	385.6	462.8	539.9	617.0	694.2
KW REQUIRED @ RPM**				165.8	199.0	232.2	265.4	298.3

*Displacement based on 100% Volumetric Efficiency

**Power based on 90% Mechanical Efficiency

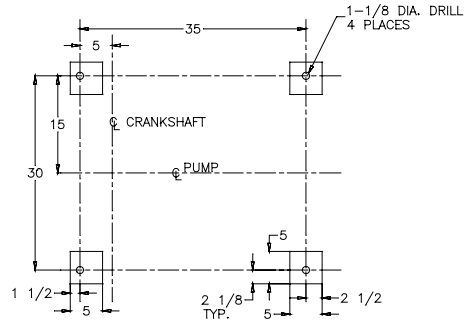
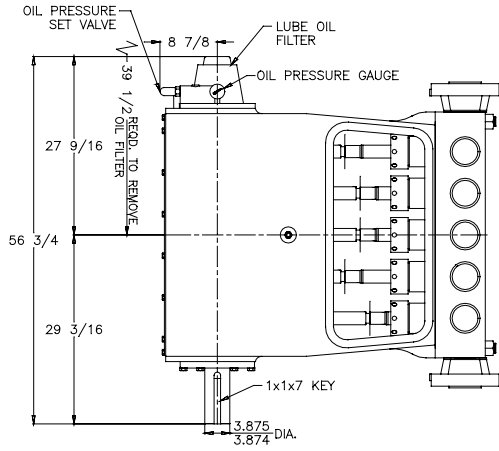
$$IHP = \frac{USGPM \times (\text{Discharge psig} - 1/2 \text{ Suction psig})}{1542}$$

$$IKW = \frac{M^3/HR \times (\text{Discharge Bar} - 1/2 \text{ Suction Bar})}{17.99}$$

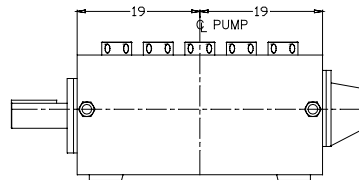
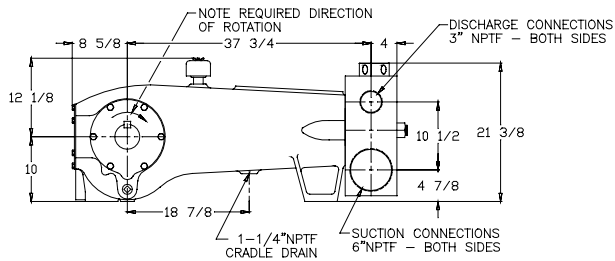
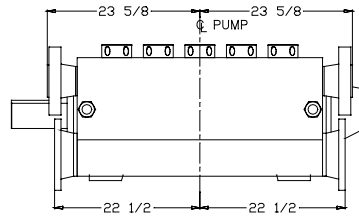
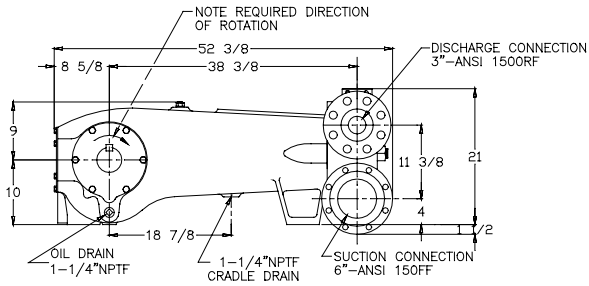
$$PUMP \text{ RPM} = \frac{USGPM \text{ Desired}}{USGPM \text{ per Revolution of Selected Plunger}}$$

$$PUMP \text{ RPM} = \frac{M^3/HR \text{ Desired}}{M^3 \text{ per Revolution of Selected Plunger}}$$

SC-300 Quintuplex Pump



FOUNDATION PLAN



ENGINEERING DATA

SC-300 Quintuplex Pump

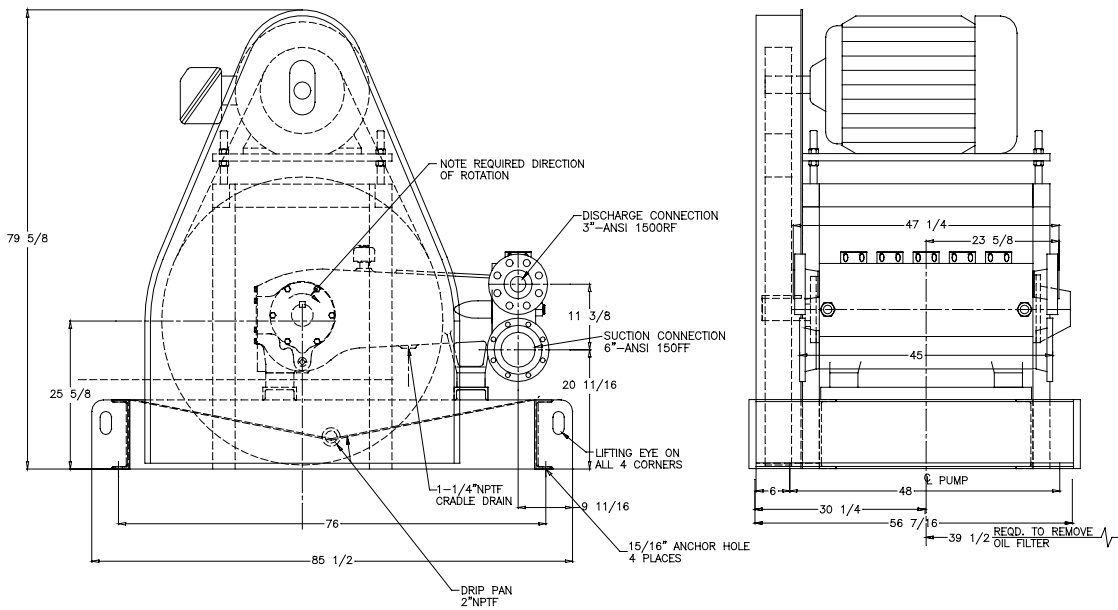
POWER END ENGINEERING DATA

Max. Input Power @ Speed	400 HP @ 450 rpm
Rated Continuous Plunger Load	14,908 lb.
Normal Continuous Speed Range	150 to 420 rpm
Minimum Speed	100 rpm
Oil Capacity	64 U.S. Qrts
Power End Oiling System	Pressure Lubrication System
Power Frame, One-Piece	Cast Iron
Crosshead, Full Cylindrical	Cast Iron
Crosshead, Dia. x Length.....	5 3/4 x 6 3/16 in.
Crankshaft	Ductile Iron
Crankshaft Diameters:	
At Tapered Roller Bearings	4 in.
At Crankpin Bearings, Dia. x Length.....	4 x 3 in.
Crosshead (Wrist) Pin, Case-Hardened and Ground	AISI 8620
Main Bearings, Tapered Roller	Timken®
Crankpin Bearings, Precision Automotive	Babbitt-Lined
Extension (Pony) Rod Integral w/ Plungers	316 S.ST.
Connecting Rod, Automotive Type	Ductile Iron
Average Crosshead Speed @ 450 rpm	300 fpm

LIQUID END ENGINEERING DATA

Max. Continuous Working Pressure	3,365 psi
Hydrostatic Test	5,050 psi
Liquid End Materials, A.S.T.M.	
Carbon Steel.....	A516 Gr.70
Plunger Type "Rokide" Stainless Steel, (Chromium Oxide-Coated)	416 or 316 S.ST.
Stuffing boxes, Field-Removable and Replaceable, Carbon Steel	1020
Packing Types Available:	
Gland-loaded, Non-Adjustable	Style 838
Spring- Braided Teflon & Kevlar.....	Style 140
Spring-loaded, cup-type	Style 120X
Spring-loaded, Garlock	Style 892IK
Valve Cover and Cyl. Head Plugs	A36
Seals, Stuffing Boxes, Valve Covers	Buna-N
Valve Type	17-4PH S.ST.
Valve Spring Material	Inconel®
Avg. Liquid Velocity, with 3 1/2" Plungers @ 450 RPM	
thru Suction Manifold.....	4.42 fps
thru Discharge Manifold	18.1 fps

SC-300 Quintuplex Pump



740 EAST 9TH STREET,
ASHLAND, OHIO 44805
WWW.MYERSAPLEX.COM

269 TRILLIUM DRIVE, KITCHENER,
ONTARIO, CANADA N2G 4W5
WWW.MYERSAPLEX.COM

Inconel® is a registered trademark of the Special Metals family of companies
Timken® is a registered trademark of The Timken Company
Myers® is a registered trademark of Pentair Ltd.

Because we are continuously improving our products and services, Pentair reserves the right to change specifications without prior notice.
MA3015 03/13/13 © 2013 Pentair Ltd. All Rights Reserved.