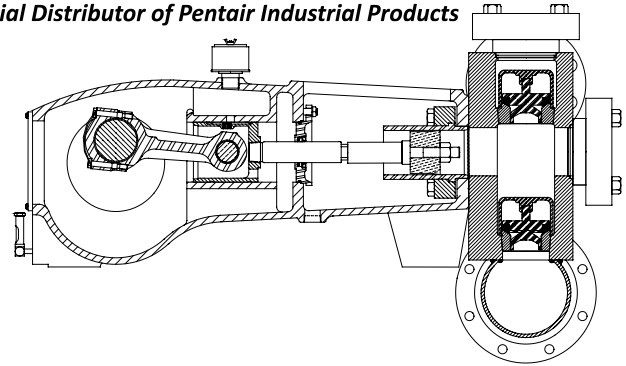


MYERS® APLEX SERIES

SC-300L

QUINTUPLEX PISTON/PLUNGER PUMP



Intermittent Duty Only

No. of pistons/plungers	5
Maximum rated speed	400 rpm
Stroke length	4.25 in. 108.0 mm
Maximum rated power	400 HP 298 KW
Maximum rod load	16,780 lb. 74.50 kN
Weight	4800 lbs.

ENGLISH UNITS

SC-300L

PISTON OR PLUNGER	PLUNGER SIZE	STUFFING BOX BORE	MAX PSI.	* GALLON PER/REV.	200 RPM	250 RPM	300 RPM	350 RPM	400 RPM
	IN.	IN.			US GPM	US GPM	US GPM	US GPM	US GPM
	4.500	5.250	1055	1.463	292.6	365.8	438.9	512.1	585.2
	4.375	5.250	1116	1.383	276.6	345.7	414.9	484.0	553.2
	4.250	5.250	1181	1.305	261.0	326.3	391.5	456.8	522.0
	4.125	5.000	1254	1.229	245.9	307.3	368.8	430.3	491.8
	4.000	5.000	1334	1.156	231.2	289.0	346.8	404.6	462.4
	3.875	5.000	1422	1.085	217.0	271.2	325.5	379.7	434.0
	3.750	5.000	1518	1.016	203.2	254.0	304.8	355.6	406.4
	3.625	4.500	1626	0.949	189.9	237.4	284.8	332.3	379.8
<i>HP REQUIRED @ RPM**</i>					200.2	250.2	300.3	350.3	400.0

METRIC UNITS

SC-300L

PISTON OR PLUNGER	PLUNGER SIZE	STUFFING BOX BORE	MAX PRESS. BAR	* LITER PER/REV.	200 RPM	250 RPM	300 RPM	350 RPM	400 RPM
	MM.	MM.			LPM	LPM	LPM	LPM	LPM
	114.3	133.4	72.7	5.538	1107.7	1384.6	1661.5	1938.4	2215.4
	111.1	133.4	76.9	5.235	1047.0	1308.7	1570.4	1832.2	2093.9
	108.0	133.4	81.4	4.940	988.0	1235.0	1482.0	1729.0	1976.0
	104.8	127.0	86.5	4.654	930.8	1163.5	1396.1	1628.8	1861.5
	101.6	127.0	92.0	4.376	875.2	1094.0	1312.8	1531.6	1750.4
	98.4	127.0	98.0	4.107	821.4	1026.7	1232.0	1437.4	1642.7
	95.3	127.0	104.7	3.846	769.2	961.5	1153.8	1346.1	1538.4
	92.1	114.3	112.1	3.594	718.8	898.5	1078.2	1257.9	1437.6
<i>KW REQUIRED @ RPM**</i>					149.3	186.6	223.9	261.2	298.3

*Displacement based on 100% Volumetric Efficiency

**Power based on 90% Mechanical Efficiency

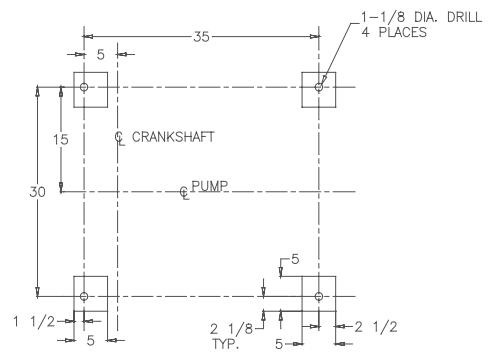
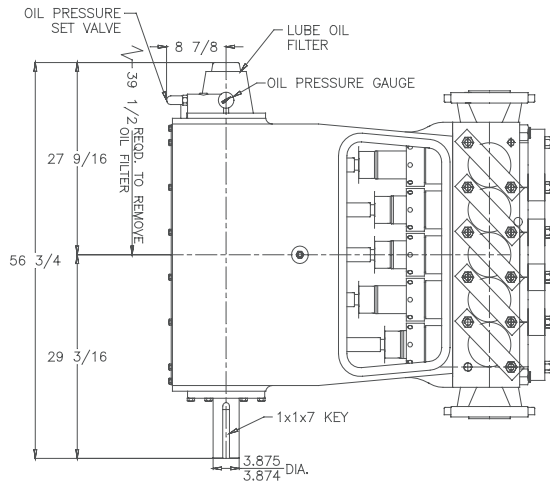
$$IHP = \frac{USGPM \times (\text{Discharge psig} - 1/2 \text{ Suction psig})}{1542}$$

$$IKW = \frac{M^3/HR \times (\text{Discharge Bar} - 1/2 \text{ Suction Bar})}{17.99}$$

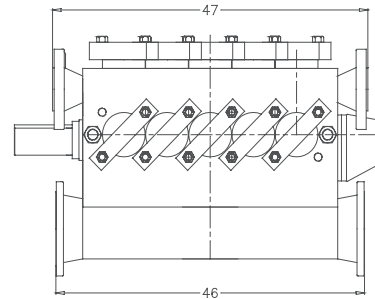
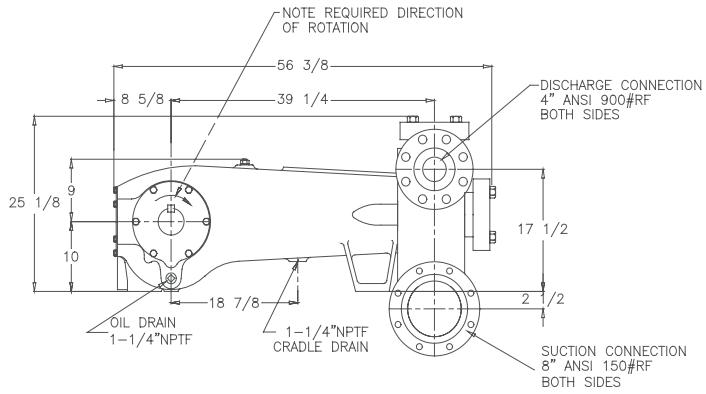
$$PUMP \text{ RPM} = \frac{USGPM \text{ Desired}}{USGPM \text{ per Revolution of Selected Plunger}}$$

$$PUMP \text{ RPM} = \frac{M^3/HR \text{ Desired}}{M^3 \text{ per Revolution of Selected Plunger}}$$

SC-300L Quintuplex Pump



FOUNDATION PLAN



ENGINEERING DATA

SC-300L Quintuplex Pump

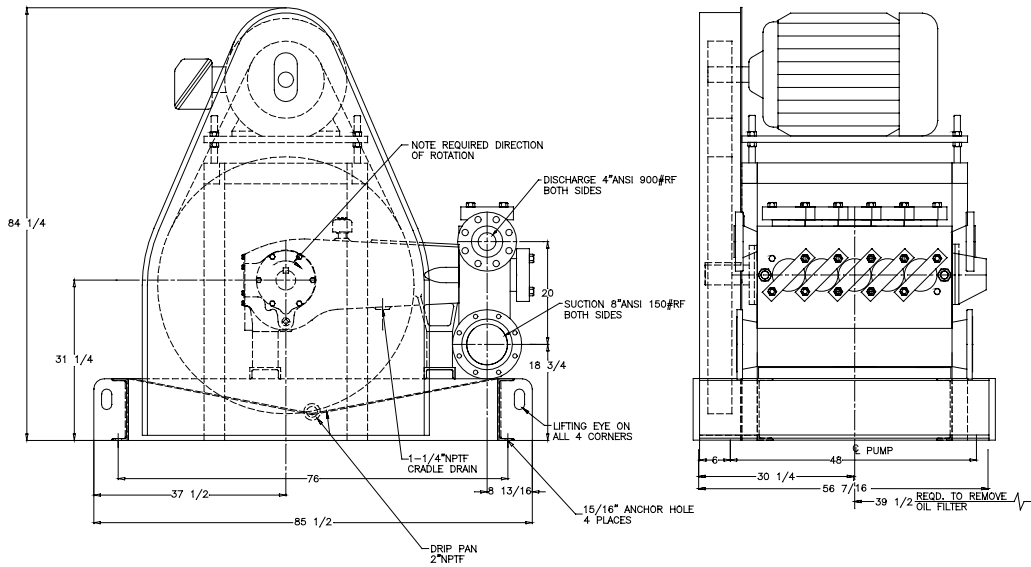
POWER END ENGINEERING DATA

Max. Input Power @ Speed	400 HP @ 400 rpm
Rated Continuous Plunger Load	16,780 lb.
Normal Continuous Speed Range	150 to 380 rpm
Minimum Speed	100 rpm
Oil Capacity	64 U.S. Qrts
Power End Oiling System	Pressure Lubrication System
Power Frame, One-Piece	Cast Iron
Crosshead, Full Cylindrical	Cast Iron
Crosshead, Dia. x Length.....	5 3/4 x 6 3/16 in.
Crankshaft	Ductile Iron
Crankshaft Diameters:	
At Tapered Roller Bearings	4 in.
At Crankpin Bearings, Dia. x Length.....	4 x 3 in.
Crosshead (Wrist) Pin, Case-Hardened and Ground	AISI 8620
Main Bearings, Tapered Roller	Timken®
Crankpin Bearings, Precision Automotive	Babbitt-Lined
Extension (Pony) Rod Integral w/ Plungers	17-4 PH S.ST.
Connecting Rod, Automotive Type	Ductile Iron
Average Crosshead Speed @ 400 rpm	267 fpm

LIQUID END ENGINEERING DATA

Max. Continuous Working Pressure	1,626 psi
Hydrostatic Test	2,500 psi
Liquid End Materials, A.S.T.M.	
Carbon Steel.....	A516 Gr.70
Piston Type.....	Rubber
Liners	Hardened Steel
Plunger Type “Rokide” Stainless Steel, (Chromium Oxide-Coated)	416 or 316 S.ST.
Stuffing boxes, Field-Removable and Replaceable, Carbon Steel	1020
Packing Types Available:	
Gland-loaded, Non-Adjustable	Style 838
Spring-loaded, Braided Teflon & Kevlar	Style 140
Spring-loaded, cup-type	Style 120X
Spring-loaded, Garlock	Style 892IK
Valve Cover and Cyl. Head Plugs	A36
Seals, Stuffing Boxes, Valve Covers	Buna-N
Valve Type.....	Abrasion Resistant
Valve Type, Wing Guided	17-4PH S.ST.
Valve Spring Material	Inconel®
Avg. Liquid Velocity, with 4 1/2” Plungers @ 400 RPM	
thru Suction Manifold.....	3.7 fps
thru Discharge Manifold.....	16.3 fps

SC-300L Quintuplex Pump



740 EAST 9TH STREET,
ASHLAND, OHIO 44805
WWW.MYERSAPLEX.COM

269 TRILLIUM DRIVE, KITCHENER,
ONTARIO, CANADA N2G 4W5
WWW.MYERSAPLEX.COM

Inconel® is a registered trademark of the Special Metals family of companies
Timken® is a registered trademark of The Timken Company
Myers® is a registered trademark of Pentair Ltd.

Because we are continuously improving our products and services, Pentair reserves the right to change specifications without prior notice.
MA3014 03/13/13 © 2013 Pentair Ltd. All Rights Reserved.