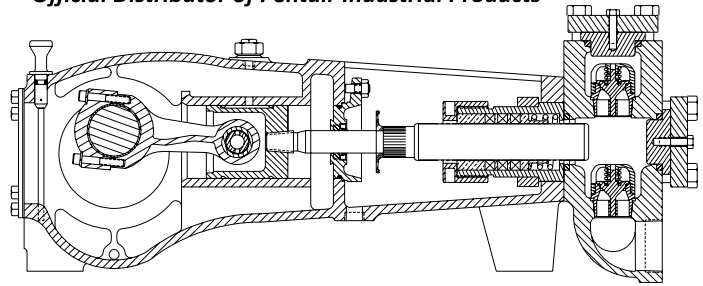


**MYERS® APLEX SERIES**
**SC-65**
**TRIPLEX PLUNGER PUMP**

**Intermittent Duty Only**

No. of plungers.....	3
Maximum rated speed.....	550 rpm
Stroke length.....	2.75 in. 69.85 mm
Maximum rated power.....	92 HP 68.5 KW
Maximum rod load .....	7216 lb. 32.04 kN
Weight .....	750 lbs.

ENGLISH UNITS

SC-65

PLUNGER SIZE IN.	STUFFING BOX BORE IN.	MAX PSI	*GALLON PER/REV.	200 RPM US GPM	250 RPM US GPM	350 RPM US GPM	450 RPM US GPM	550 RPM US GPM
2.250	2.875	1815	0.1420	28.4	35.5	49.7	63.9	78.1
2.125	2.875	2035	0.1267	25.3	31.7	44.3	57.0	69.7
2.000	2.875	2297	0.1122	22.4	28.1	39.3	50.5	61.7
1.875	2.875	2613	0.0986	19.7	24.7	34.5	44.4	54.2
1.750	2.875	3000	0.0859	17.2	21.5	30.1	38.7	47.2
<i>HP REQUIRED @ RPM**</i>				33.4	41.8	58.5	75.2	92.0

METRIC UNITS

SC-65

PLUNGER SIZE MM.	STUFFING BOX BORE MM.	MAX PRESS. BAR	*LITER PER/REV.	200 RPM LPM	250 RPM LPM	350 RPM LPM	450 RPM LPM	550 RPM LPM
57.2	73.0	125.1	0.5375	107.5	134.4	188.1	241.9	295.6
54.0	73.0	140.3	0.4796	95.9	119.9	167.9	215.8	263.8
50.8	73.0	158.4	0.4247	84.9	106.2	148.6	191.1	233.6
47.6	73.0	180.2	0.3732	74.6	93.3	130.6	167.9	205.3
44.5	73.0	206.8	0.3252	65.0	81.3	113.8	146.3	178.9
<i>KW REQUIRED @ RPM**</i>				24.9	31.1	43.6	56.1	68.6

\*Displacement based on 100% Volumetric Efficiency

\*\*Power based on 90% Mechanical Efficiency

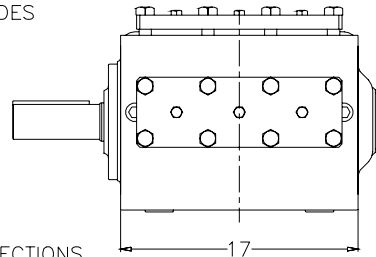
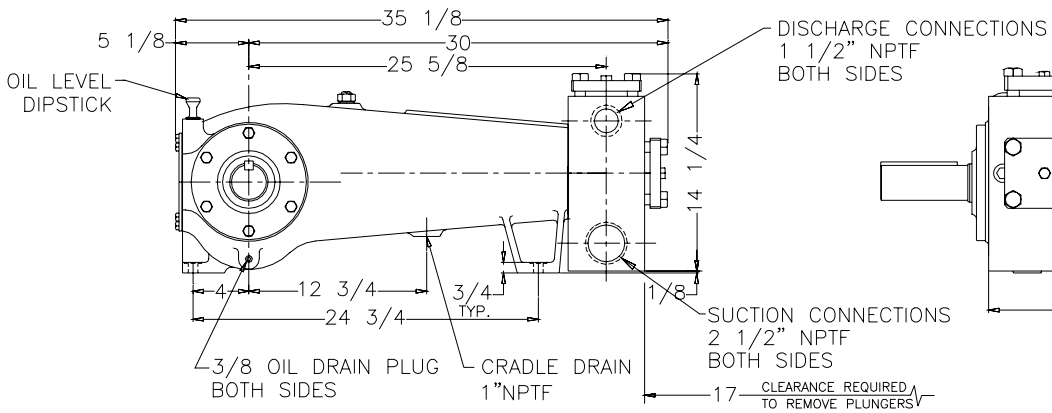
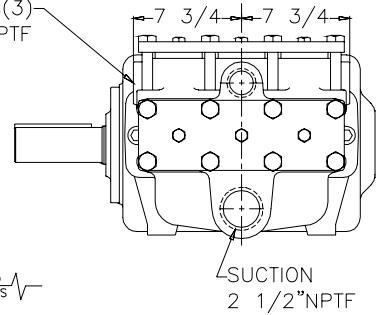
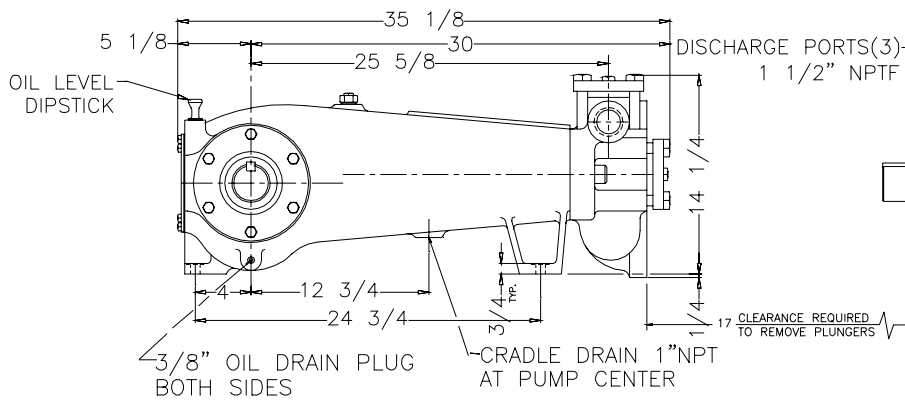
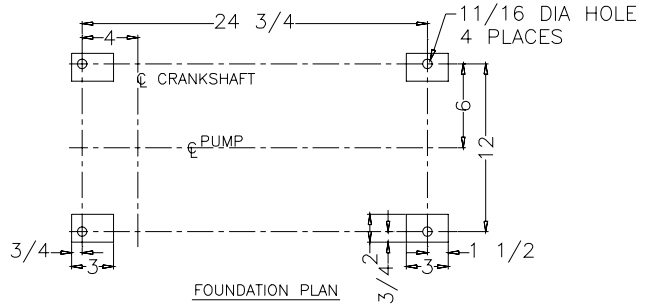
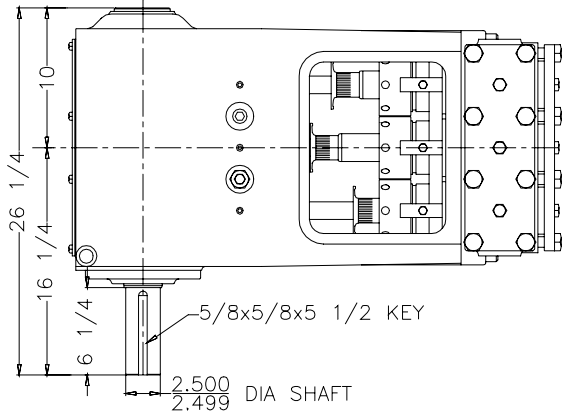
$$IHP = \frac{USGPM \times (\text{Discharge psig} - 1/2 \text{ Suction psig})}{1542}$$

$$IKW = \frac{M^3/HR \times (\text{Discharge Bar} - 1/2 \text{ Suction Bar})}{17.99}$$

$$PUMP \text{ RPM} = \frac{USGPM \text{ Desired}}{USGPM \text{ per Revolution of Selected Plunger}}$$

$$PUMP \text{ RPM} = \frac{M^3/HR \text{ Desired}}{M^3 \text{ per Revolution of Selected Plunger}}$$

# SC-65 Triplex Pump



# ENGINEERING DATA

## SC-65 Triplex Pump

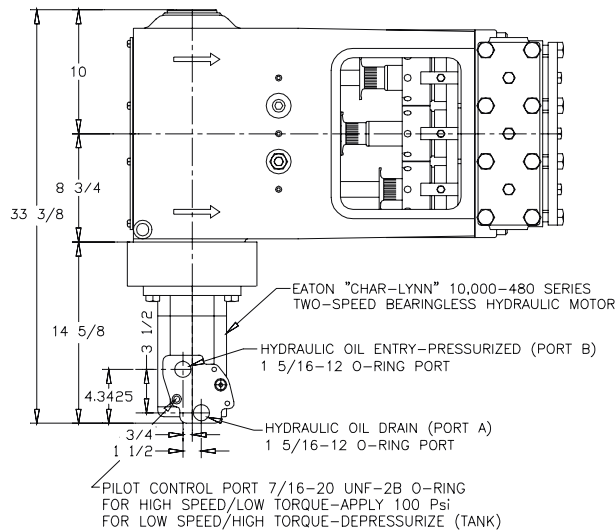
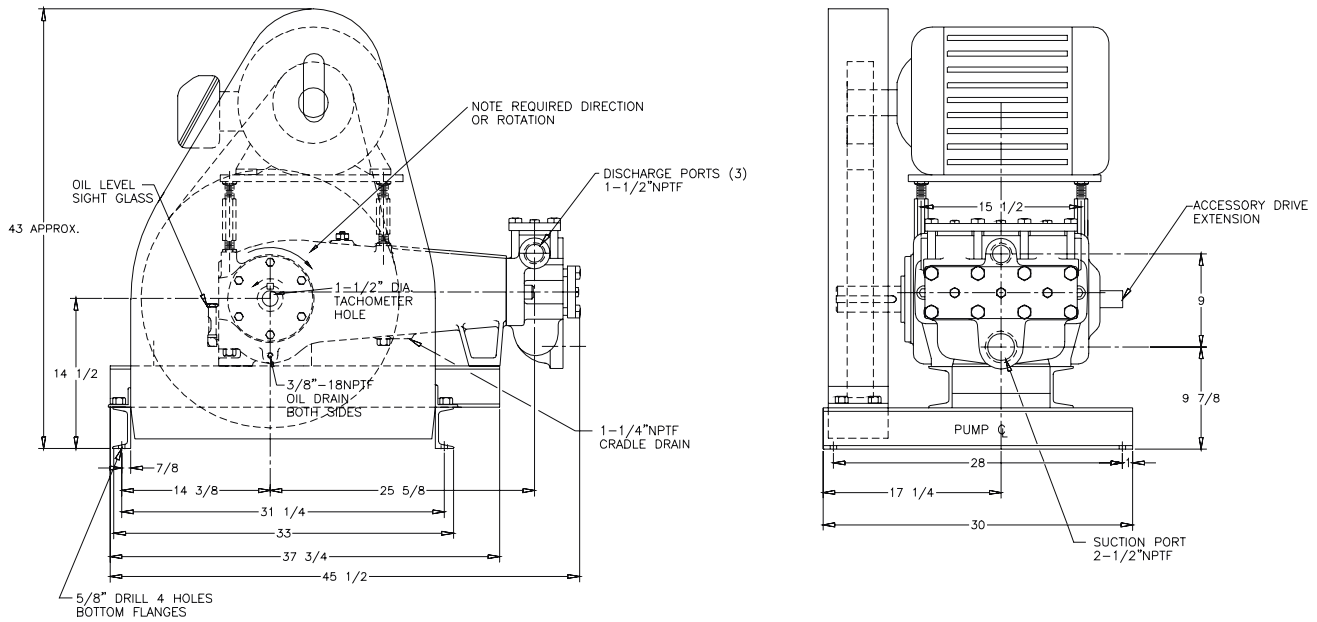
### POWER END ENGINEERING DATA

Max. Input Power @ Speed .....	92 HP @ 550 rpm
Rated Continuous Plunger Load .....	7,216 lb.
Normal Continuous Speed Range .....	100 rpm
Minimum Speed .....	100 rpm
Oil Capacity .....	8 U.S. Qrts
Power End Oiling System .....	Splash & Scoop
Power Frame, One-Piece .....	Cast Iron
Crosshead, Full Cylindrical .....	Cast Iron
Crosshead, Dia. x Length.....	4 x 4 1/2 in.
Crankshaft .....	Ductile Iron
Crankshaft Diameters:	
At Tapered Roller Bearings .....	3.35 in.
At Crankpin Bearings, Dia. x Length.....	2 3/4 x 2 in.
Crosshead (Wrist) Pin, Case-Hardened and Ground .....	AISI 8620
Main Bearings, Tapered Roller .....	Timken®
Crankpin Bearings, Precision Automotive .....	Babbitt-Lined
Extension (Pony) Rod Integral w/ Plungers .....	316 S.ST.
Connecting Rod, Automotive Type .....	Ductile Iron
Average Crosshead Speed @ 550 rpm .....	252 fpm
Minimum Life Expectancy, Main Bearings, L <sub>10</sub> .....	30,000+ hr.

### LIQUID END ENGINEERING DATA

Max. Continuous Working Pressure .....	3,500 psi
Hydrostatic Test .....	5,250 psi
Liquid End Materials, A.S.T.M.	
Ductile Iron .....	A536 80-55-06
Nickel Aluminum Bronze .....	B148 C955
Carbon Steel.....	A510 Gr.70
Stainless Steel .....	316 or 2205 S.ST.
Plunger Type "Rokide" Stainless Steel, (Chromium Oxide-Coated) .....	416 S.ST.
Stuffing boxes, Field-Removable and Replaceable, Carbon Steel .....	1020
Packing Types Available:	
Gland-loaded, Non-Adjustable .....	Style 838
Spring-loaded, Braided Teflon & Kevlar .....	Style 140
Spring-loaded, cup-type .....	Style 120X
Spring-loaded, Garlock .....	Style 892IK
Valve Cover and Cyl. Head Plugs .....	316 S.ST.
Retainer Plates, Steel, A.S.T.M. ....	A36
Seals, Stuffing Boxes, Valve Covers .....	Buna-N
Valve Type, Abrasion Resistant .....	17-4PH S.ST.
Valve Spring Material .....	Inconel®
Valve Seat, Liquid Passage Area	
Plate (disc) Valves, (Delrin or S.S.) .....	2.3 sq.in.
Abrasion Resistant Valve .....	1.5 sq.in.
Avg. Liquid Velocity, with 2 1/4" Plungers @ 600 RPM	
thru Plate Valves.....	7.3 fps
thru Dual Stem Valves.....	12.3 fps
thru Suction Manifold.....	5.2 fps
thru Discharge Manifold.....	14.1 fps

# SC-65 Triplex Pump



740 EAST 9TH STREET,  
ASHLAND, OHIO 44805  
WWW.MYERSAPLEX.COM

269 TRILLIUM DRIVE, KITCHENER,  
ONTARIO, CANADA N2G 4W5  
WWW.MYERSAPLEX.COM

Inconel® is a registered trademark of the Special Metals family of companies  
Timken® is a registered trademark of The Timken Company  
Myers® is a registered trademark of Pentair Ltd.

Because we are continuously improving our products and services, Pentair reserves the right to change specifications without prior notice.  
MA3007 03/11/13 © 2013 Pentair Ltd. All Rights Reserved.

[www.powerzone.com](http://www.powerzone.com)