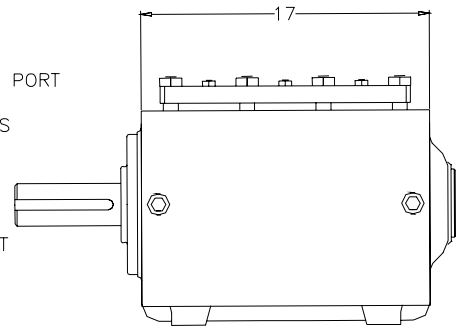
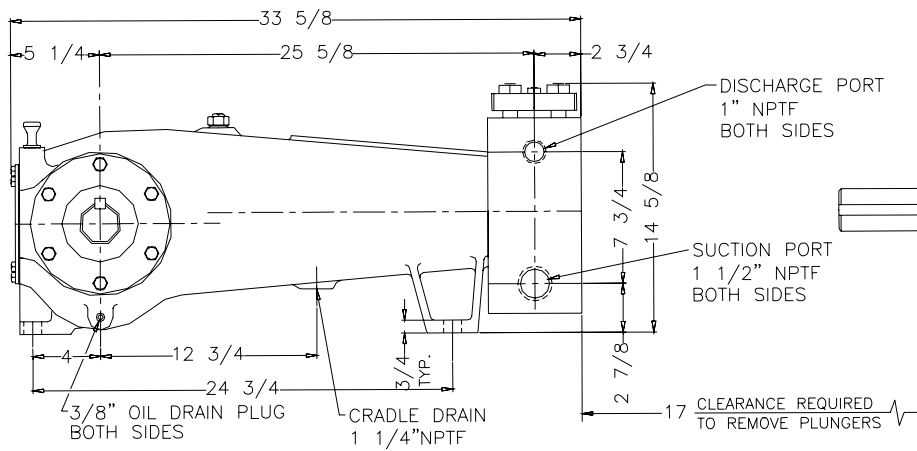
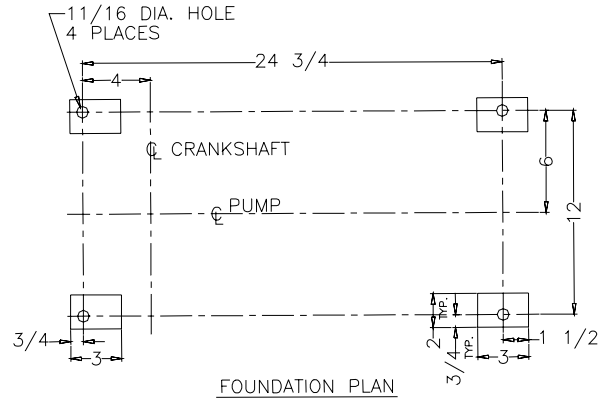
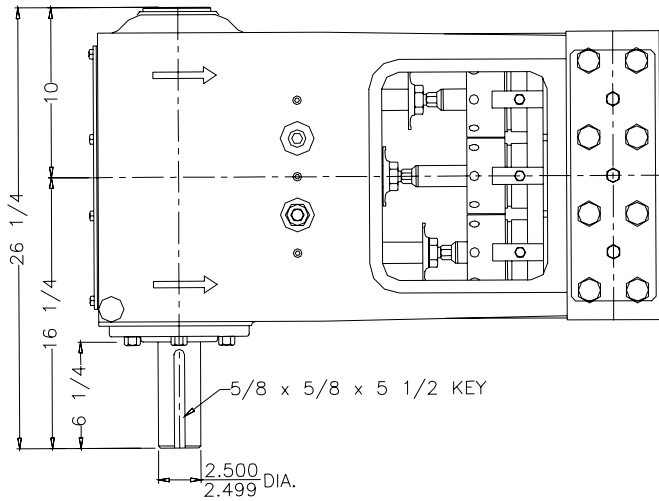


SC-65H Triplex Pump



ENGINEERING DATA

SC-65H Triplex Pump

POWER END ENGINEERING DATA

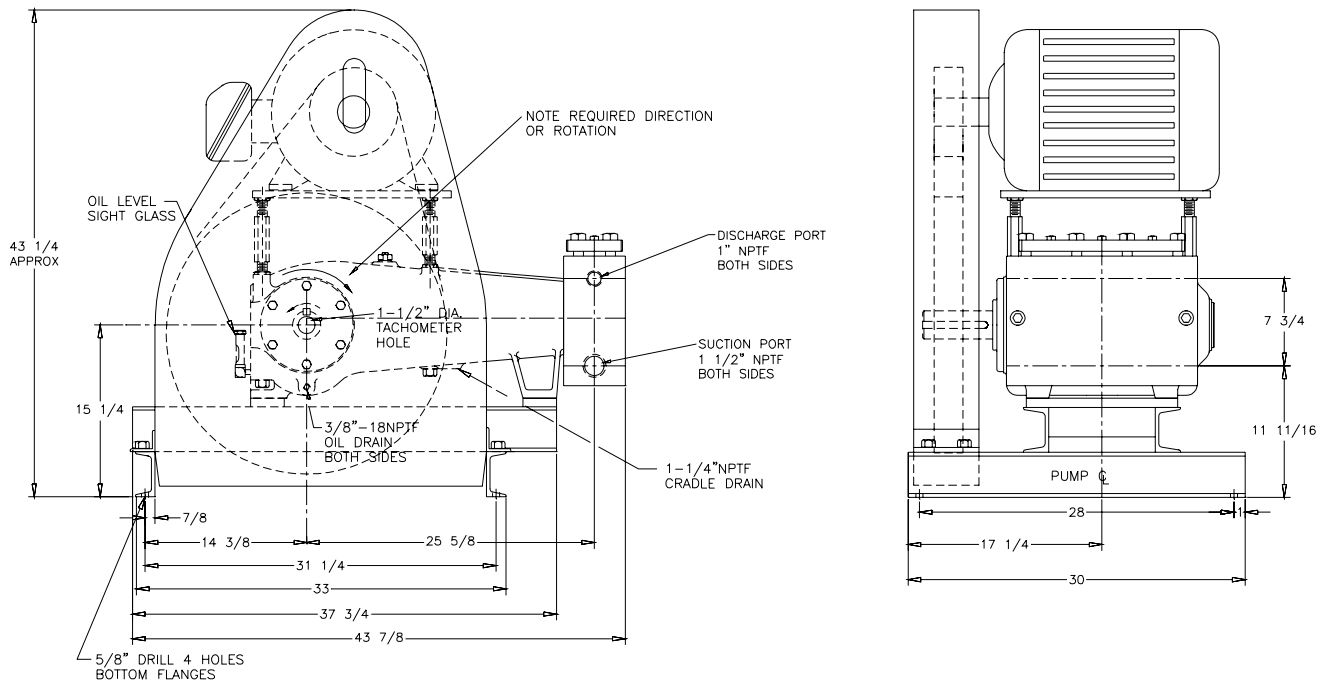
Max. Input Power @ Speed	92 HP @ 550 rpm
Rated Intermittent Plunger Load	7,216 lb.
Normal Continuous Speed Range	150-425 rpm
Minimum Speed	100 rpm
Oil Capacity	8 U.S. Qrts
Power End Oiling System	Splash & Scoop
Power Frame, One-Piece	Cast Iron
Crosshead, Full Cylindrical	Cast Iron
Crosshead, Dia. x Length.....	4 x 4 1/2 in.
Crankshaft	Ductile Iron
Crankshaft Diameters:	
At Tapered Roller Bearings	3.35 in.
At Crankpin Bearings, Dia. x Length.....	2 3/4 x 2 in.
Crosshead (Wrist) Pin, Case-Hardened and Ground	AISI 8620
Main Bearings, Tapered Roller	Timken®
Crankpin Bearings, Precision Automotive	Babbitt-Lined
Extension (Pony) Rod Integral w/ Plungers	316 S.ST.
Connecting Rod, Automotive Type	Ductile Iron
Average Crosshead Speed @ 550 rpm	252 fpm
Minimum Life Expectancy, Main Bearings, L ₁₀	30,000+ hr.

LIQUID END ENGINEERING DATA

Max. Continuous Working Pressure	5,000 psi
Hydrostatic Test	7,500 psi
Liquid End Materials, A.S.T.M.	
Carbon Steel.....	4140
Stainless Steel	15-5PH S.ST.
Plunger Type “Rokide” Stainless Steel, (Chromium Oxide-Coated)	316 S.ST.
Stuffing boxes, Field-Removable and Replaceable, Carbon Steel	1020
Packing Types Available:	
Spring-loaded, cup-type	Style 120X
Spring-loaded, Aramid Fiber	Style 140
Valve Cover and Cyl. Head Plugs	1020 or 316 S.ST.
Retainer Plates, Steel, A.S.T.M.	A36
Seals, Stuffing Boxes, Valve Covers	Buna-N
Valve Types:	
Abrasion Resistant	17-4PH S.ST.
Disc	17-4PH S.St.
Valve Spring Material	Inconel®
Valve Seat, Liquid Passage Area.....	2.23 sq.in.
Avg. Liquid Velocity, with 1 5/8” Plungers @ 550 RPM	
thru Suction Manifold.....	7.40 fps
thru Discharge Manifold.....	16.65 fps

All drawings and specifications subject to change without notice.

SC-65H Triplex Pump



740 EAST 9TH STREET,
ASHLAND, OHIO 44805
WWW.MYERSAPLEX.COM

269 TRILLIUM DRIVE, KITCHENER,
ONTARIO, CANADA N2G 4W5
WWW.MYERSAPLEX.COM

Inconel® is a registered trademark of the Special Metals family of companies
Timken® is a registered trademark of The Timken Company
Myers® is a registered trademark of Pentair Ltd.

Because we are continuously improving our products and services, Pentair reserves the right to change specifications without prior notice.
MA3005 03/09/13 © 2013 Pentair Ltd. All Rights Reserved.

www.powerzone.com